

MEC 100



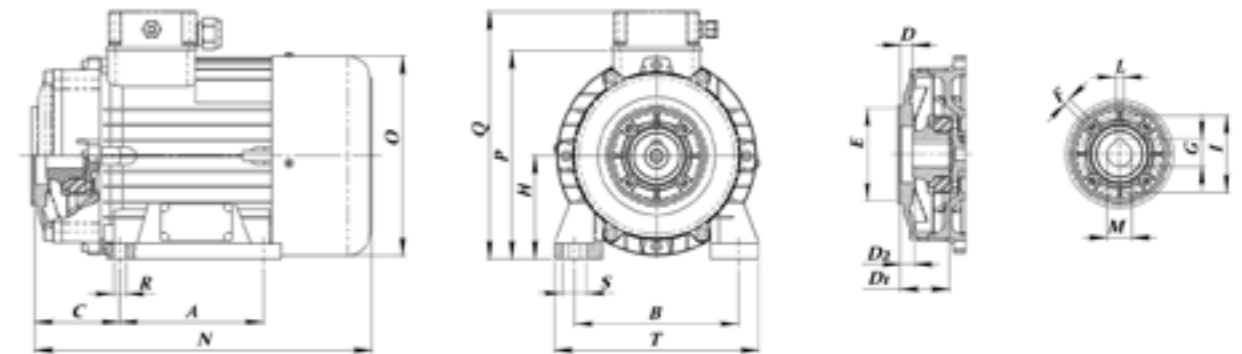
MEC 100



Codice Code	Fase Phase	V	Hz	Ampere	Hp (kW)	RPM		Peso netto Net weight	Pompa Mazzoni Mazzoni pump
						50Hz	60Hz		
2.081.12.016	1	230	50	12.5	3 (2.2)	1450	1740	24	PM
2.081.12.018	1	230	60	13.2	3 (2.2)	1450	1740	24	PM
2.081.12.019	3	230/400	50/60	16/9.5	5.5 (4)	1450	1740	24	PM
2.081.12.004	3	230/400	50/60	16/9.5	5.5 (4)	1450	1740	24	MMD



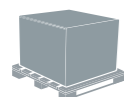
DIMENSIONI / DIMENSIONS



Codice Code	A	B	C	D	E	F	G	H	I	L	M	N	O	P	Q	R	S	T	D1	D2
2.081.12.016	140	160	84	11	90	7	27.3	100	75	8	24	327	194	203	242	12	22	192	50	13.5
2.081.12.019	140	160	84	11	90	7	27.3	100	75	8	24	327	194	203	242	12	22	192	50	13.5
2.081.12.004	140	160	78	6	61	10	27.3	100	88	8	24	325	194	203	242	12	22	192	45	9

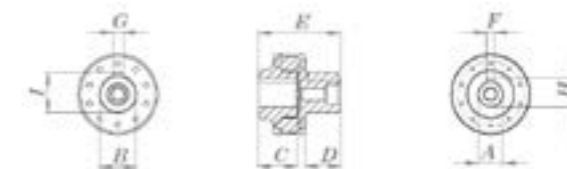
FASE PHASE	VOLT	HP (Kw)	RENDIMENTO EFFICIENCY	A	Cos φ	Hz (GIRI / ROUNDS)
1	230	3 (2.2)	83%	12.5	0.99	50 (1450 rpm)
3	230/400	5.5 (4)	85%	16 - 9	0.86	60 (1740 rpm)

Versione monofase fornita con condensatore 60mf / Monophase version supplied with condenser 60mf included



PEZZI PER PALLET / PIECES EACH PALLET	CM	INCH	KG	LBS
1	75X60X50	29.52X23.62X19.68	30	66.13
5	100X65X50	39.37X25.6X19.68	150	330.69
10	120X80X50	47.24X31.5X19.68	300	661.38

GIUNTO ELASTICO / ELASTIC COUPLING



Codice Code	MEC	A	B	C	D	E	F	G	H	I
3.055.02.003	100	Ø24	Ø30	36.5	33	78.5	8	8	27.3	33

