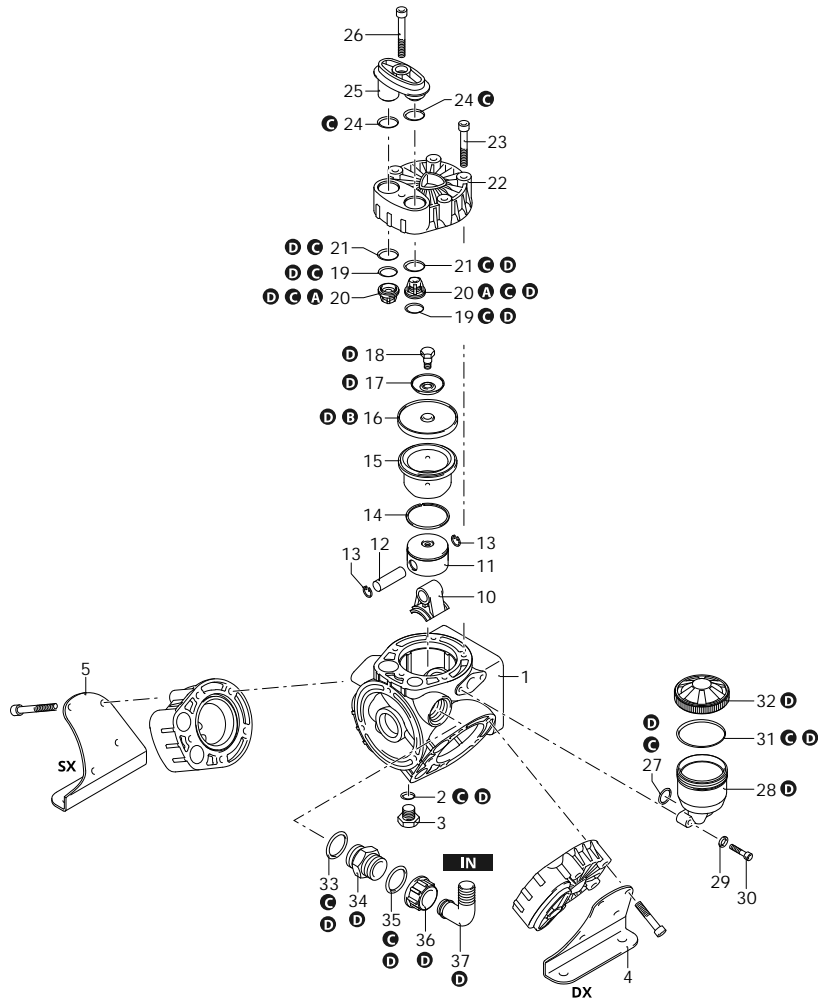




# ELECTRIC MOTOR PUMP AR 303

32190 ELECTRIC MOTOR PUMP AR 303 G.C.I. - BlueFlex



Code	Description	Q	Note
1	1880010 Pump body		1
2	740290 O-ring	Ø 14x1,78	2 Lubricate Molykote PG54
3	880530 Plug	3/8" G	2 C=20Nm
4	1880080 Foot		1
5	1880090 Foot		1
10	1880070 Connecting-rod		3
11	1880060 Piston	Ø 50	3
12	1880120 Pin		3
13	380080 Ring	seeger Øi 14	6
14	1880110 Piston ring		3
15	1880051 Sleeve		3
16	800082 Diaphragm	BlueFlex - Øe 72	3
17	800350 Plate		3
18	800090 Hub pin		3 C=20Nm / Lubricate Molykote 1000
19	1140450 O-ring	Ø 20,24x2,62	6 Lubricate Molykote PG54
20	1889051 Complete valve		6
21	780050 O-ring	Ø 28,252x1,78	6 Lubricate with motor oil
22	1880030 Head		3
23	800860 Screw	TCEI M8x55	12
24	1880480 O-ring	Ø 25x2	6 Lubricate with motor oil
25	1880040 Cover		3
26	280080 Screw	TCEI M8x60	3
27	390180 O-ring	Ø 18,72x2,62	1 Lubricate with motor oil
28	1040310 Tank		1
29	550331 Washer		2
30	1200440 Screw	TCEI M6x35	2 C=10Nm
31	650920 O-ring	Ø 53,65x2,62	1 Lubricate with Mineral Grease
32	1040326 Plug	black	1
33	390290 O-ring	Ø 29x3	1 Lubricate Molykote PG54
34	550340 Fitting	1" G (M-M)	1
35	550350 O-ring	Ø 23,81x2,62	1 Lubricate with Mineral Grease
36	550880 Ring nut	1" G	1
37	550370 Elbow	Ø 25	1
A	2388 Valve kit		1
B	43197 Diaphragms kit	BlueFlex	1
C	2389 O-ring kit		1
D	47420 Maintenance repair kit	BlueFlex	1
E	47192 Tank kit		1

AR\_01\_048\_v01

Customer: AR  
Customer Code:



SAE 30  
0,400 Kg

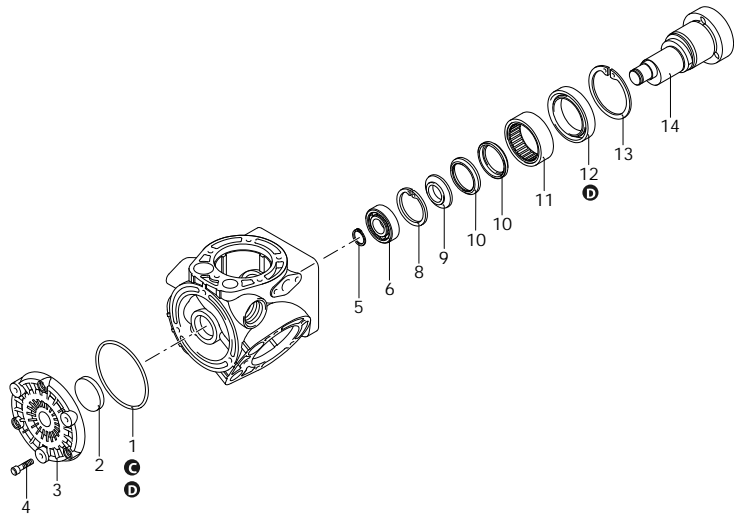
Revision: 1

Date: 26/08/2023



# ELECTRIC MOTOR PUMP AR 303

32190 ELECTRIC MOTOR PUMP AR 303 G.C.I. - BlueFlex



Code	Description		Q	Note
1	1880130 O-ring	Ø 88,57x2,62	1	Lubricate with motor oil
2	1880380 Oil seal		1	
3	1880020 Line	intake	1	
4	780060 Screw	TCEI M6x25	3	C=10Nm
5	620291 Ring	seeger Øe 20	1	
6	1461430 Bearing		1	Press Mount
8	111120 Ring	seeger Øi 47	1	
9	1880170 Spacer		1	
10	1880180 Ring	Connecting-rod	2	
11	550060 Bushing		1	Press Mount
12	620130 Ring	seal	1	Lubricate with Mineral Grease
13	620330 Ring	seeger Øi 65	1	
14	1880101 Shaft	2 marked	1	
A	2388 Valve kit		1	
B	43197 Diaphragms kit	BlueFlex	1	
C	2389 O-ring kit		1	
D	47420 Maintenance repair kit	BlueFlex	1	

AR\_03\_031\_v01

Customer: AR  
Customer Code:



SAE 30  
0,400 Kg

Revision: 1

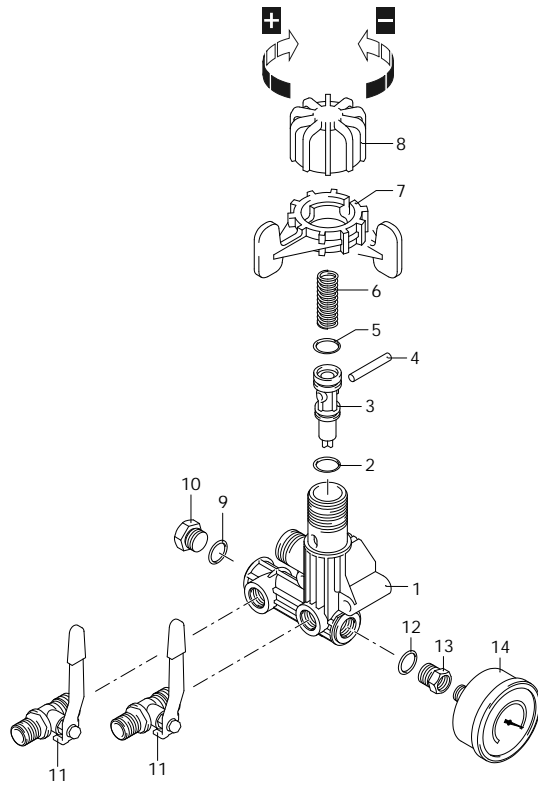
Date: 26/08/2023



# ELECTRIC MOTOR PUMP AR 303

32190 ELECTRIC MOTOR PUMP AR 303 G.C.I. - BlueFlex

880



Code	Description	Q	Note
1	1880200 Valve body		1
2	1880260 O-ring	Ø 15,08x2,62	1
3	1889201 Shutter		1
4	1880240 Pin		1 Lubricate Molykote PG54
5	480441 O-ring	Ø 17,13x2,62 Viton	1 Lubricate Molykote G-807
6	1880271 Spring		1
7	1880210 Ring nut		1 Lubricate Molykote PG54
8	1880220 Knob		1
9	740290 O-ring	Ø 14x1,78	1 Lubricate Molykote PG54
10	2841240 Plug		1 C=10Nm
11	1880491 Valve	3/8" G - 1/2" G (M-M)	2 C=10Nm
12	740290 O-ring	Ø 14x1,78	1 Lubricate Molykote PG54
13	1880250 Fitting		1 C=2Nm / Loxeal 55-14
14	1880290 Pressure gauge	Ø63 - 0÷80bar	1
880	880 Control units		1

AR\_05\_023\_v01

Customer: AR  
Customer Code:



SAE 30  
0,400 Kg

Revision: 1

Date: 26/08/2023

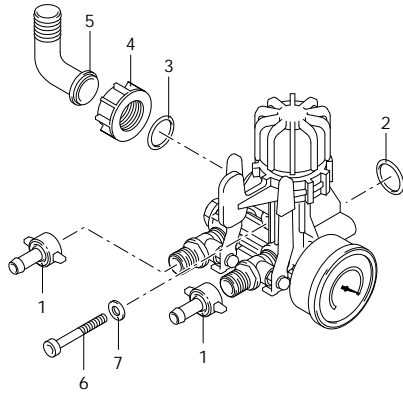


# ELECTRIC MOTOR PUMP AR 303

32190 ELECTRIC MOTOR PUMP AR 303 G.C.I. - BlueFlex

KIT

976



Code	Description	Q	Note
1	110131 Ring nut 1/2" G	2	
2	1140450 O-ring Ø 20,24x2,62	1	Lubricate Molykote PG54
3	880830 O-ring Ø 15,54x2,62	1	Lubricate Molykote G-807
4	550450 Ring nut 3/4" G	1	
5	550460 Elbow Ø 18	1	
6	680360 Screw TCEI M8x50	2	C=20Nm
7	390311 Washer	2	
976	976 Kit for built-in control unit	1	

AR\_05\_024\_v01

Customer: AR  
Customer Code:



SAE 30  
0,400 Kg

Revision: 1

Date: 26/08/2023

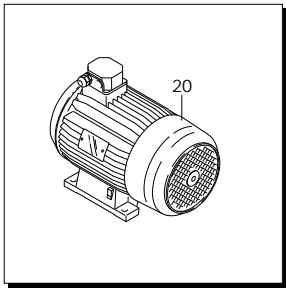
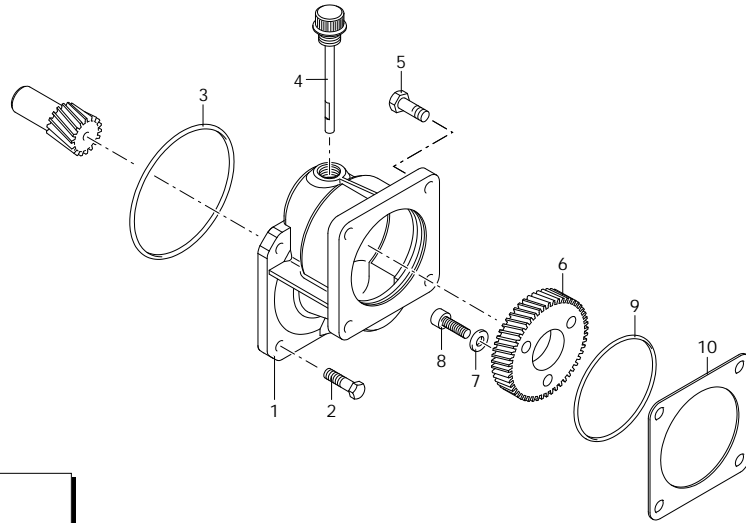


# ELECTRIC MOTOR PUMP AR 303

32190 ELECTRIC MOTOR PUMP AR 303 G.C.I. - BlueFlex

## Code Description Q Note

Code	Description	Q	Note
1	651500 Box	1	
2	180370 Screw	TCEI M8x25	4 C=20Nm
3	651540 O-ring	Ø 107,62x2,62	1
4	1140370 Plug		1
5	160670 Screw	TE M10x25	4 C=40Nm
6	651510 Middling gear	Z=40	1
7	650530 Washer		3
8	650330 Screw	TCEI M10x35	3 C=40Nm
9	620561 O-ring	Ø 78x2,5	1 Lubricate with Mineral Grease
10	650270 Gasket		1 Seal with Arexons Mastic
20	4077 Motor		1 2 HP



AR\_07\_026\_v01

Customer: AR  
Customer Code:



W 90  
0,020 Kg

Revision: 1

Date: 26/08/2023