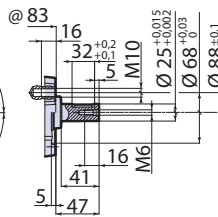
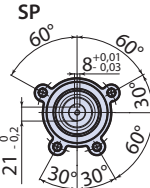
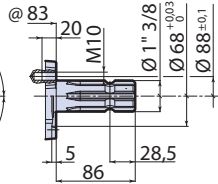
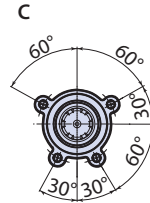
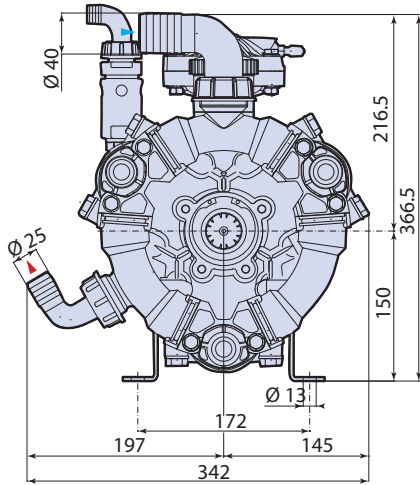
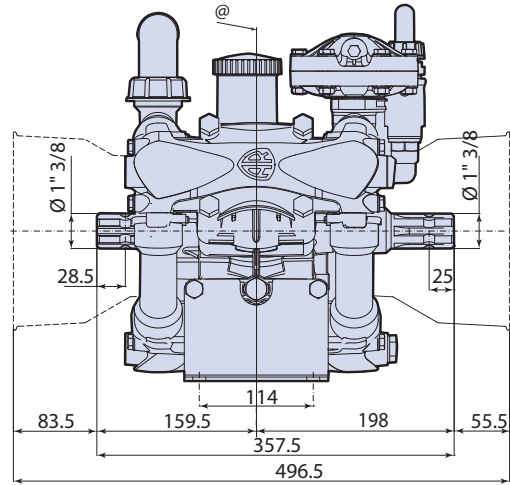


AP C/C



@ = Pump axis - Asse pompa