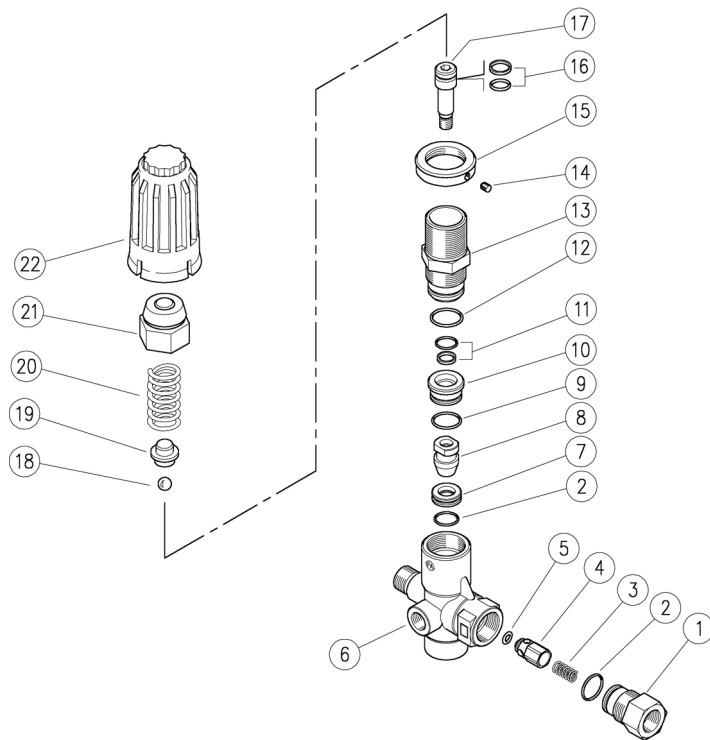


60.1600.00 VB280 unload. 3/8MF Bsp byp:1/2F+knob
 60.1700.00 VB350 unload. 3/8MF Bsp byp:1/2F+knob

60.1700.50 VB350 unload. 3/8MF Npt byp:1/2F+knob



K1 K2 K3 K4

1	60.1811.31RShutter coupl., 3/8F Bsp brass	1				3
1	60.1817.31R3/8Npt F nipple (1)	1				3
2	10.3066.01RO-ring, 1,78x15,6 mm Ni 85	2	•			10
3	60.0053.51RSpring, 0,7x9x20 mm Sst.	1				10
4	60.9052.93RShutter pin, Sst.+or 3x6 mm N90	1				10
5	10.3213.08RO-ring, 3x6 mm Ni 90	1	•			10
6	60.1725.35RHous.-V280-350/4,3/8M c/snk+1/4F Bsp brs	1				3
6	60.1717.35RHous.-V280-350/4,3/8M Npt +1/4FNpt brs (1)	1				3
7	60.1809.51RSeat, 11,6x19x6 mm Sst.	1	•			5
8	60.1808.51RShutter pin, M8 Sst.	1	•			3
9	10.3068.01RO-ring, 1,78x17,17 mm Ni 85	1	•			10
10	60.1810.31RSpacer ring, 10,3x23,4x12,5 mm brass	1				5
11	60.0979.24 Stem seal, 10x14,9x2,2 mm+O-ring	1	•			5
12	10.3072.01RO-ring, 1,78x20,35 mm Ni 85	1	•			10

K1 K2 K3 K4

13	60.0973.31RPiston holder, brass (2)	1				3
13	60.1805.31RPiston holder, brass (3,1)	1				3
14	16.2100.00RSet screw, DIN914 M4x4 mm	1				10
15	60.1728.31RRing nut, M27x1 brass	1				10
16	60.0978.24 Piston seal, 9x14x2,2 mm+O-ring	1	•			5
17	60.1806.51RPiston, M8 Sst.	1				3
18	14.7443.10RBall, 11/32" Sst.	1	•			10
19	60.1813.31RSpring rest pin, brass	1				5
20	60.0975.61RSpring, 4,2x19,7x42 mm z.pl. (2)	1				10
20	60.1812.61RSpring, 4,5x15,8x47mm (3,1)	1				3
21	60.1727.31RValve regulating knob, brass	1				5
22	60.1726.84RValve regulating knob, PA black (2)	1				10
22	60.1729.84RValve regulating knob, PA red (3,1)	1				10

K1

K1	60.1615.24 Spares kit -VB280-350/4 11x1pcs.	1
----	---	---

(1) 60.1700.50 (2) 60.1600.00 (3) 60.1700.00