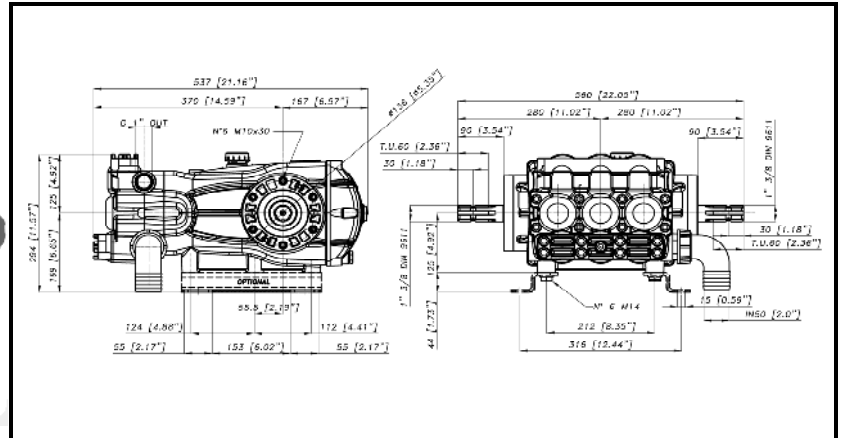
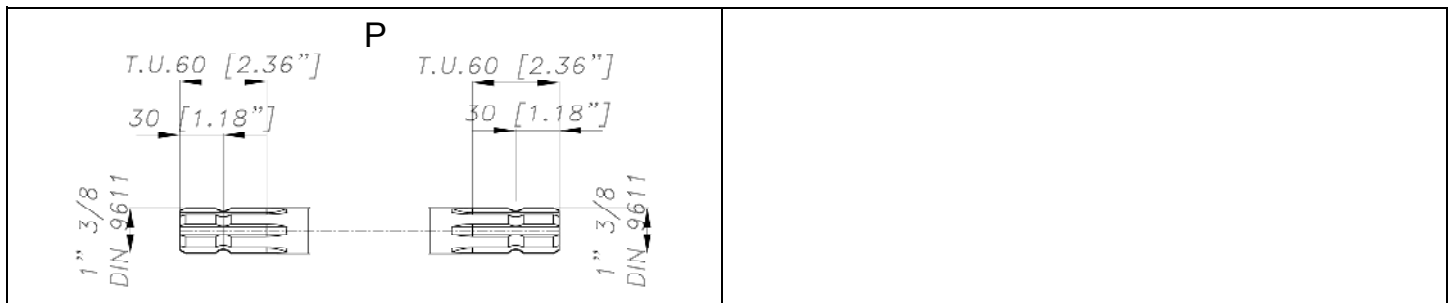


## DIMENSIONI D'INGOMBRO - OVERALL DIMENSIONS



## ALBERO POMPA - PUMP SHAFT



## COPPIA DI SERRAGGIO - TORQUE CHART

CODICE - CODE	Q.TY	POS	N·m	Lbr.ft
86.4091.10.2	3	9	50	37
86.4120.00.2	8	14	70	51,5
86.4200.00.2	16	16	110	81
86.3300.00.2	12	24	40	29,5
86.3439.00.2	3	3	40	29,5
86.2261.00.2	10	42	10	7,5
85.2579.00.2	1	30	30	22
85.2712.00.2	1	34	40	29,5
85.2753.00.2	1	32	110	81
86.4140.00.2	6	45	70	51,5

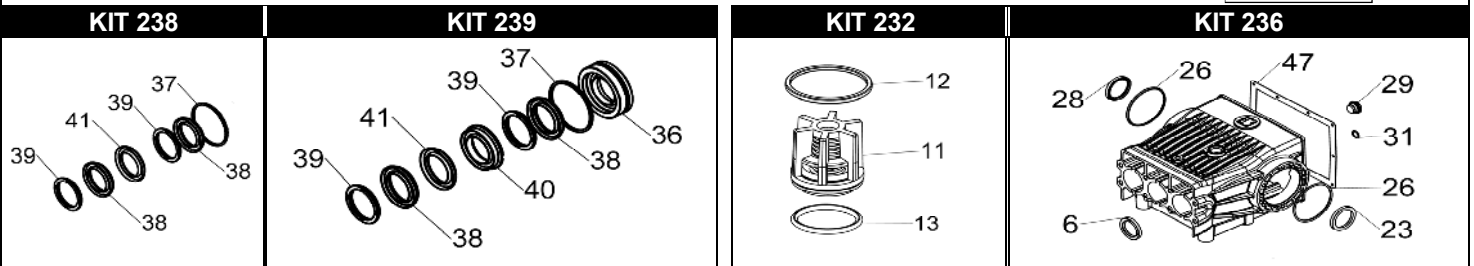
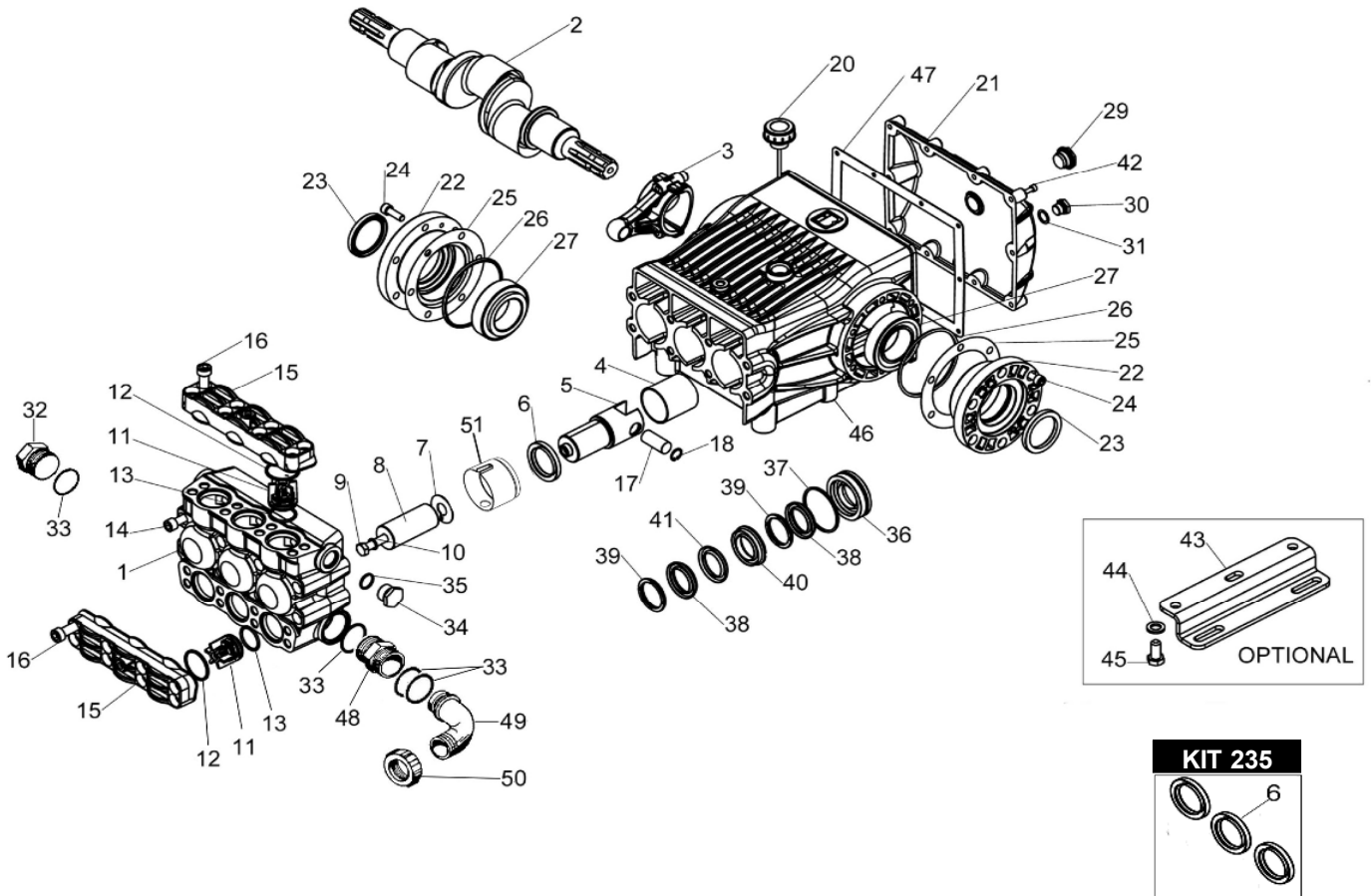
Tolleranza di serraggio:  
Tolerance on torque value: 0/-10%

## INFORMAZIONI UTILI USEFUL INFORMATION

LUBRIFICANTE - LUBRICANT:  
OLIO MOTORE O SEMIIDRAULICO SAE 30  
MOTOR OIL OR SEMI-HYDRAULIC OIL SAE 30



# CX 130-P - 150-P - 170-P



POS.	CODICE PART NO. RÉF.	DENOMINAZIONE - DESCRIPTION - DESCRIPTION	Q.TY
1	740027292	PUMP HEAD	1
2	740025262	CRANKSHAFT E=26	1
2	740024262	CRANKSHAFT E=24	1
2	740023262	CRANKSHAFT E=22	1
3	740003112	CONNECTING ROD (before 09/2014)	3
3	740086112	CONNECTING ROD (from 09/2014)	3
4	804466002	BUSH DIA.55x60x60	3
5	740009512	PLUNGER ROD	3
6-kit. 235-236	802194002	OIL SEAL DIA.45X65X8	3
7	844213002	WASHER D.20x58x1	3
8	740026182	CERAMIC PISTON DIA.50	3
9	864091102	BOLT M12X110 UNI 5737 INOX	3
10	843898002	WASHER DIA.12X20X1,5	3
11-kit. 232	740001973	VALVE ASSEMBLY	6
12-kit. 232	803264002	O-RING DIA.3,53x44,04	6
13-kit. 232	803253002	OR-RING DIA.3,53x34,52	6
14	864120002	BOLT M12X110 UNI 5931	8
15	740041292	VALVES COVER	2
16	864200002	BOLT M14X40 UNI 5931	16
17	740008492	PISTON PIN	3
18	800009002	SNAP RING DIA.20	6
20	853539002	OIL FILLER PLUG	1
21	740002082	BACK COVER	1
22	740022082	BEARING SUPPORT	2
23-kit. 236	802251002	OIL SEAL DIA.55X72X8	1
24	863300002	BOLT M10X30 UNI 5931	12
25	740050652	SHIM 0,1 mm	1
25	740051652	SHIM 0,2 mm	2

POS.	CODICE PART NO. RÉF.	DENOMINAZIONE - DESCRIPTION - DESCRIPTION	Q.TY
26-kit. 236	803291102	O-RING DIA.3,53X107,5	2
27	812860002	BEARING 33111	2
29-kit. 236	853515502	OLI SIGHT GLASS	1
30	852579002	PLUG G 3/8	1
31-kit. 236	824107002	GASKET	1
32	852753532	PLUG G 1" 1/2	1
33	803209102	O-RING DIA.2,62X40,95	1
34	852712532	PLUG G.1"	1
35	803206002	O-RING DIA.2,62X28,25	1
36-kit. 239	740029532	BACK GLAND	3
37-kit. 238-239	803284002	O-RING DIA.3,53X68,6	3
38-kit. 238-239	802234002	V PACKING DIA.50X70X10	6
39-kit. 238-239	740031322	THRUST PIN	6
40-kit. 239	740028532	FRONT GLAND	3
41-kit. 238-239	740032322	ANTRIEXTRUSION RING	3
42	862261002	BOLT M6X30 UNI 5931	10
43	740030612	MOUNTING RAIL (OPT.)	2
44	844006002	WASHER DIA.16X27X3,5 (OPT.)	6
45	864140002	BOLT M14X30 UNI 5737 (OPT.)	6
46	740001082	CRANKCASE	1
47-kit. 236	740049722	GASKET	1
48	835095002	NIPPLE G.1" 1/2-2"	1
49	840610002	90° ELBOW TAIL DIA.50 MM.	1
50	820120002	WING NUT G2"	1
51	740088322	OIL SEAL SPACER (FROM 09/13)	3
REPAIR KIT		ITEM NO,s INCLUDED	PCS.
KIT 238	745008973	SPARE PARTS KIT	18
KIT239	745009973	SPARE PARTS KIT	24
KIT 232	745003973	SPARE PARTS KIT	18
KIT 235	745006973	SPARE PARTS KIT	3
KIT 236	745007973	SPARE PARTS KIT	11