



IPC

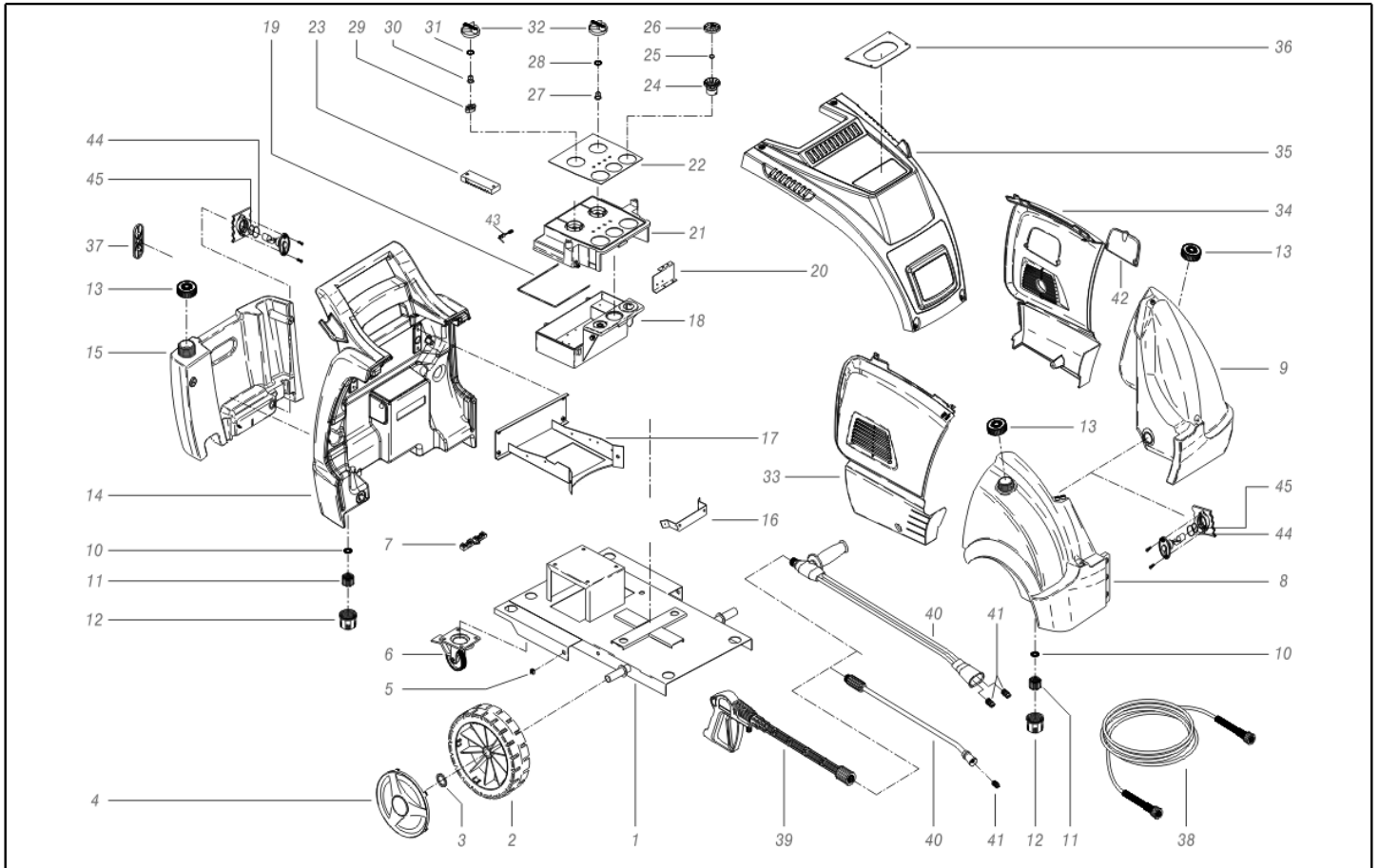
Spare parts list

Ref: IDAC46219

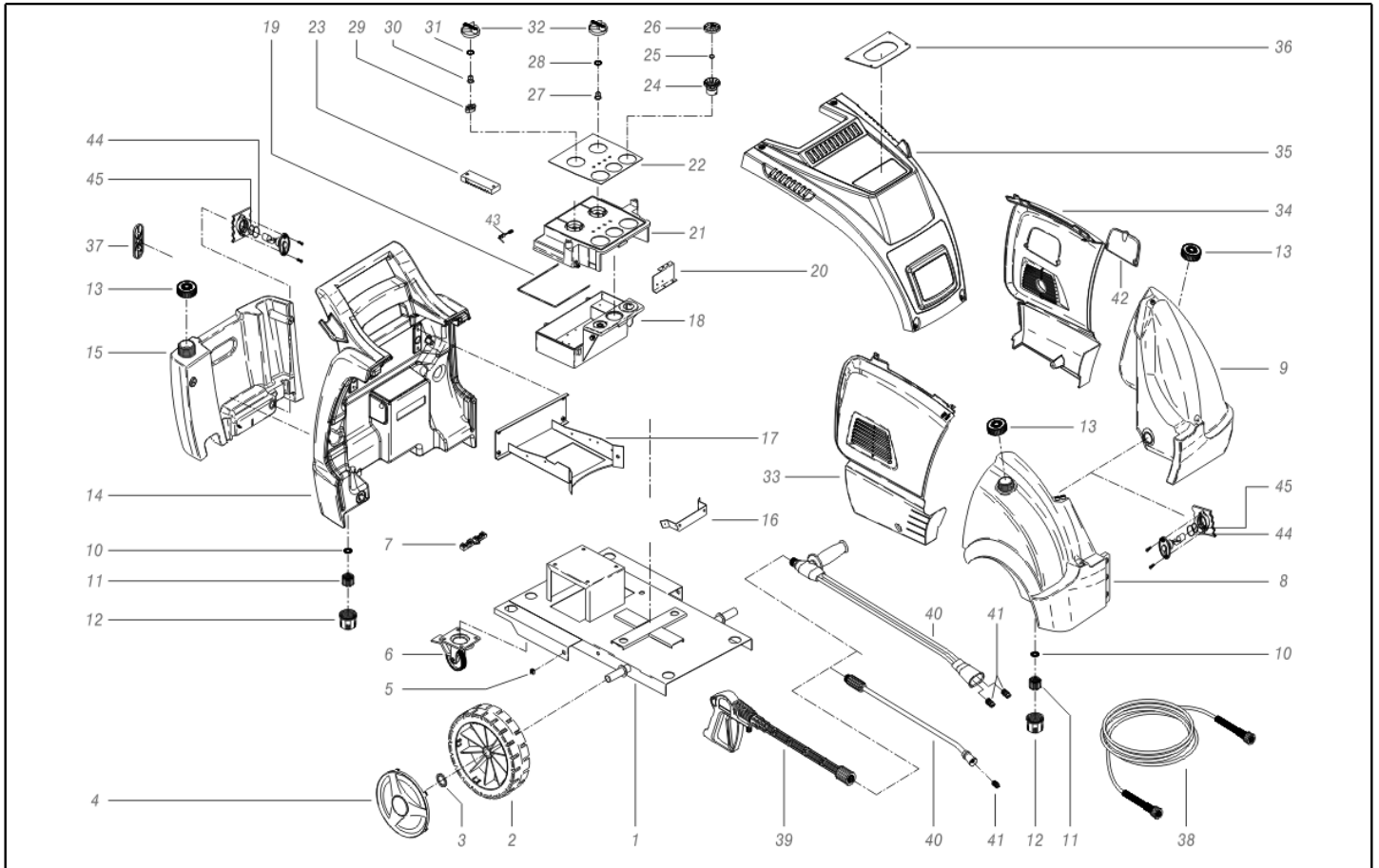
Model: H.P. CLEANER M.RACE DS1814T 400/50 SIR

Table: CHASSIS & ACC.

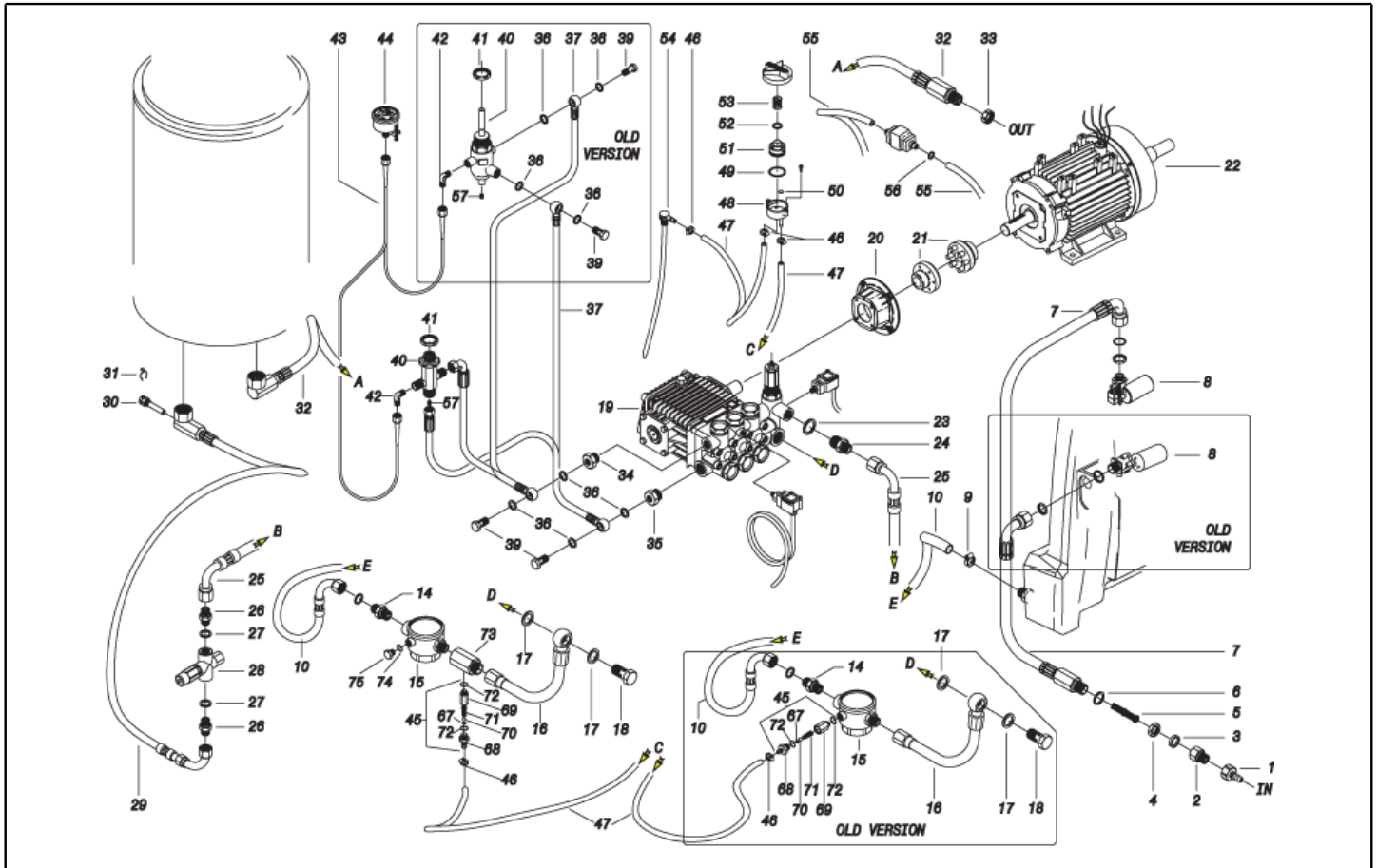
Progressive number: 1



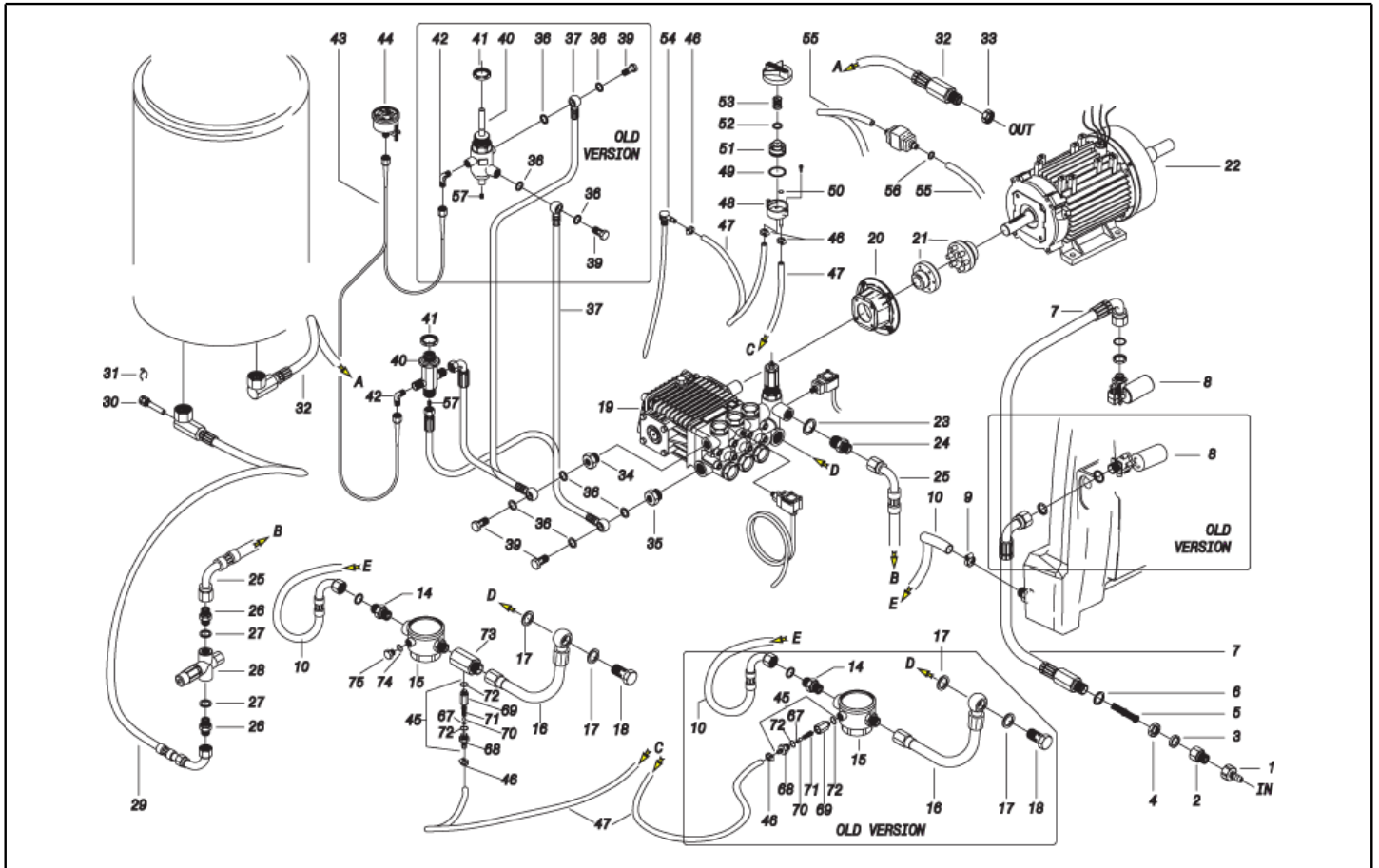
Ref. K	Part n.	Customer part n.	Description	Quantity	Validity		Price
					From	To	
0001	LAFN44888	00044888	CHASSIS P176	1,00		14/09/2006	--
0001	LAFN40011		CHASSIS P176 2V.	1,00	15/09/2006		--
0002	RTRT45383	00045383	WHEEL D.305-D.25 RT-IPC	2,00			--
0003	VTRS09813	00009813	WASHER D.25	2,00			--
0004	MPVR45385	00045385	HUB CAP D. 305 RT-PRT BLEU	2,00	01/04/2015		--
0004	MPVR45392	00045392	HUB CAP D. 305 RT-SIR BLEU	2,00		31/03/2015	--
0005	VTDD46044	00046044	NUT M 6 GB. 1.7X 2.5 ZT	2,00			--
0006	RTRT13708	00013708	TURNING WHEEL D.125 P. MZ.PLS	1,00			--
0007	MEVR20906	00020906	CABLE CLAMP KSM	1,00	16/03/2002		--
0007	MEVR33994	00033994	CABLE FASTNER 4228 B D. 6- 18	1,00		15/03/2002	--
0008	MPVR45432	00045432	FUEL TANK P176 PEHD	1,00		08/01/2004	--
0008	MPVR40089		FUEL TANK P176 C/BC. PEHD	1,00	15/07/2008		--
0008	MPVR49979	00049979	FUEL TANK P176 C/F.G1/2 PEHD	1,00	09/01/2004	14/07/2008	--
0009	MPVR45431	00045431	TANK P176 PEHD	1,00		08/01/2004	--
0009	MPVR40092		TANK P176 C/BC. PEHD	1,00	15/07/2008		--
0009	MPVR49978	00049978	TANK P176 C/F.G1/2 PEHD	1,00	09/01/2004	14/07/2008	--
0010	GUGO11489	00011489	GASKET D.22X1,5	2,00		07/01/2004	--
0010	GUGO49900	00049900	GASKET D. 23- 35 X 3.0 A.OLIO	2,00	08/01/2004	21/12/2005	--
0010	GUGO11489	00011489	GASKET D.22X1,5	4,00	22/12/2005		--
0011	PVVR11806	00011806	DISCHARGE CAP FLL	2,00			--
0012	MPVR20187	00020187	RING NUT M 39 X 3	2,00			--
0013	MPVR45426	00045426	TANK CAP P176 PEHD	1,00			--
0014	MPVR45428	00045428	HANDLE P176-M.RACE C/SRB. PEHD	1,00		31/08/2010	--
0014	MPVR40159		HANDLE P176-M.RACE C/SB. 2V.PEHD	1,00	01/09/2010	09/10/2011	--
0014	MPVR40226		HANDLE P176-MRC C/SRB.-EN PEHD	1,00	10/10/2011		--
0015	MPVR40091		TOOL HOLDER P176 C/SRB.BC PEHD	1,00	20/05/2008		--
0015	MPVR45430	00045430	TOOL HOLDER P176 C/SRB. PEHD	1,00		19/05/2008	--
0016	LAFN45946	00045946	BOX SUPPORT P176	1,00		24/10/2002	--
0016	LAFN47470	00047470	SUPPORT P176-2V.	1,00	25/10/2002		--
0017	LAFN44875	00044875	SUPPORT P176	1,00		24/10/2002	--
0017	LAFN47466	00047466	SUPPORT P176-2V.	1,00	25/10/2002	24/10/2005	--
0017	LAFN89452		SUPPORT P176-3V.	1,00	25/10/2005		--
0018	MPVR44327	00044327	CONTROL BOX P176 ABS	1,00		08/01/2003	--
0018	MPVR47414	00047414	CONTROL BOX P176-2 ABS	1,00	09/01/2003		--
0019	GUGO11309	00011309	JOINT MOUSSE D. 3	1,20		01/04/2003	--
0019	GUGO33675	00033675	JOINT MOUSSE D. 4	0,97	02/04/2003		--
0020	LAFN45827	00045827	SUPPORT BRACKET P176 BT	1,00			--
0021	MPVR44326	00044326	BOX COVER P176 ABS	1,00		08/01/2003	--
0021	MPVR47415	00047415	BOX COVER P176-2 ABS	1,00	09/01/2003		--
0022	ETET45899	00045899	LABEL P176-M.RACE PLC	1,00		09/02/2008	--
0022	ETET40274		LABEL P176-M.RACE 2V. PLC	1,00	10/02/2008		--
0023	MPVR33250	00033250	CABLE CLAMP COV MISTRAL	1,00			--
0024	MPVR40081		KNOB P176/RG. PA6 BK.	1,00	10/02/2008		--
0024	MPVR45422	00045422	KNOB P176 PA6 BK.	1,00		09/02/2008	--



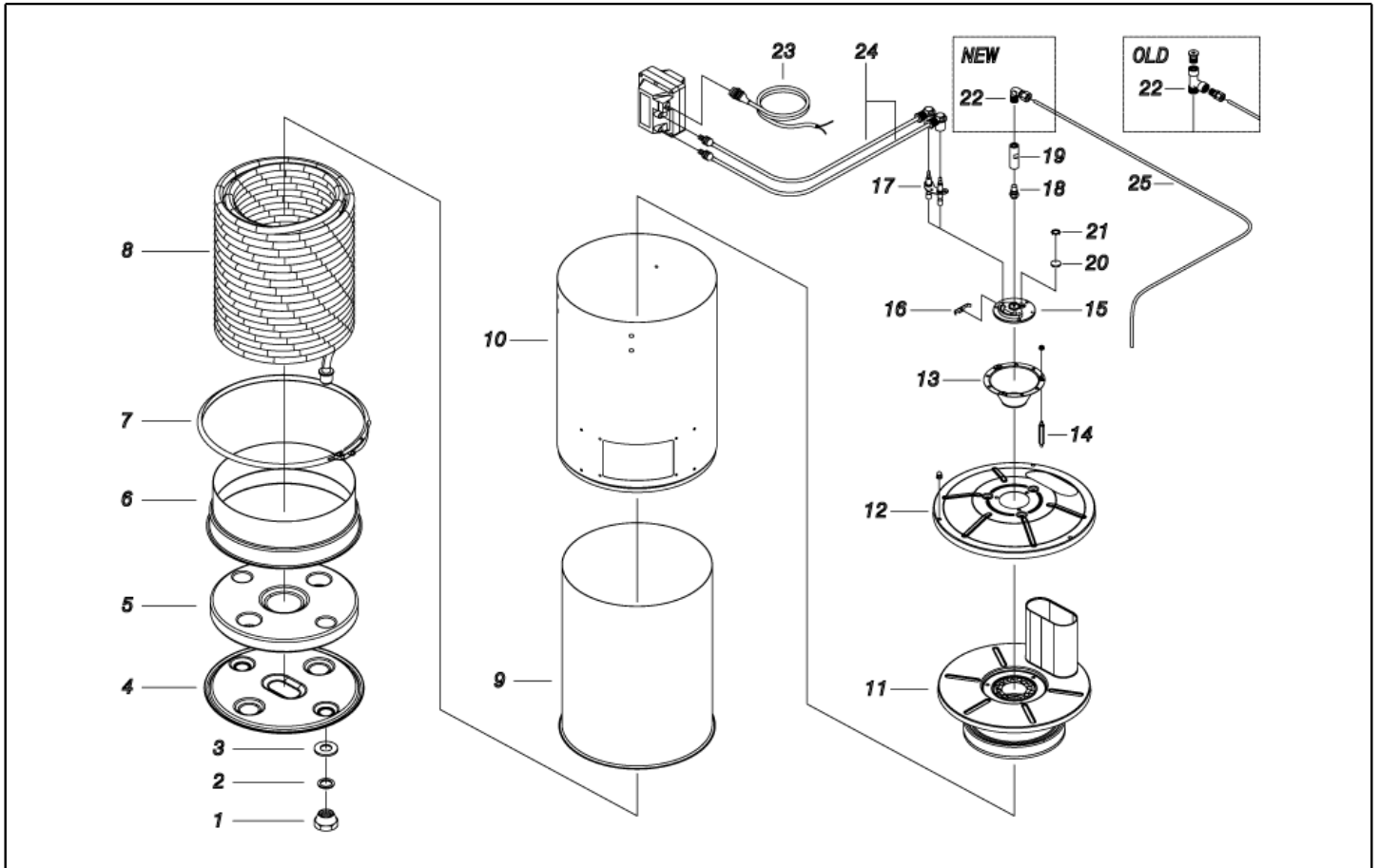
Ref. K	Part n.	Customer part n.	Description	Quantity	Validity		Price
					From	To	
0025	VTAE13935	00013935	CIRCLIP D. 7 UNI 7435	2,00		05/04/2002	--
0025	VTAE14096	00014096	CIRCLIP D. 8 UNI 7435	2,00	06/04/2002	09/02/2008	--
0026	MPVR45859	00045859	CAP P176 BK.	1,00			--
0027	MPVR23482	00023482	SWITCH TANG TEC. TUV	1,00			--
0028	GUGO23079	00023079	V-SEAL RING VAO014 13.5- 15.5	1,00			--
0029	MPVR41903	00041903	THICKNESS TERM.IM.PA66	1,00			--
0030	MPVR23484	00023484	TAIL PIECE THERM.KSM TUV	1,00			--
0031	GUGO25527	00025527	O-RING D. 14 X 3 NBR 70SH	1,00			--
0032	MPVR45423	00045423	GREY KNOB P176-M.RACE PA6	3,00		04/05/2008	--
0032	MPVR89723		GREY KNOB P176-MR C/F.FS.	3,00	05/05/2008		--
0033	MPVR45798	00045798	LAT. PANEL P176 DX BL	1,00			--
0034	MPVR48303	00048303	LAT. PANEL P176 SX 2V.BL	1,00			--
0035	MPVR45889	00045889	BLEU COVER P176-M.RACE PP	1,00			--
0036	LAFN45453	00045453	PANEL P176-M.RACE INX	1,00			--
0037	MPVR45463	00045463	CAP P176 PP BL.	2,00			--
0038	TBAP25324	00025324	H.P. HOSE R1 MT 10 5/16" C/2 IRV ZC	1,00			--
0039	IPPR45298	00045298	GRIP G 4500 - P 330 - M22 M V	1,00		14/03/2007	--
0039	IPPR89429		GRIP G 4500 - P.330 -M22SW.M V	1,00	15/03/2007	30/09/2009	--
0039	IPPR40002		GRIP G 5000+P.330 +M22 SW.M V	1,00	01/10/2009	07/04/2014	--
0039	IPPR40016		GRIP G 5000+P.330 +M22 SW.M V2	1,00	08/04/2014	31/01/2016	--
0039	IPPR40020		GRIP G 6000+P.330 +M22 SW.M V	1,00	01/02/2016		--
0040	LCPR12976	00012976	EXTENSION P 70	1,00	01/11/2010		--
0041	UGLN03327	00003327	NOZZLE 1/4 25045	1,00		28/04/2006	--
0041	UGLN49987	00049987	NOZZLE LECH 1/4 15045	1,00	01/11/2010		--
0041	UGLN49992	00049992	NOZZLE LECH 1/4 25045	1,00	29/04/2006	31/10/2010	--
0042	MPVR48403	00048403	BLEU THROTTLE P176 PP	1,00			--
0043	MEVR27264	00027264	FUSE-HOLDER 031-1081	2,00			--
0044	GUGO01197	00001197	O-RING D. 22.22 X 2.62 NBR 70SH	1,00	20/05/2008		--
0045	GUGO01056	00001056	O-RING D. 18.72 X 2.62 NBR 70SH	1,00	20/05/2008		--
9999	KTRI16996	00016996	KIT P 33- 1	1,00	07/01/2003		--



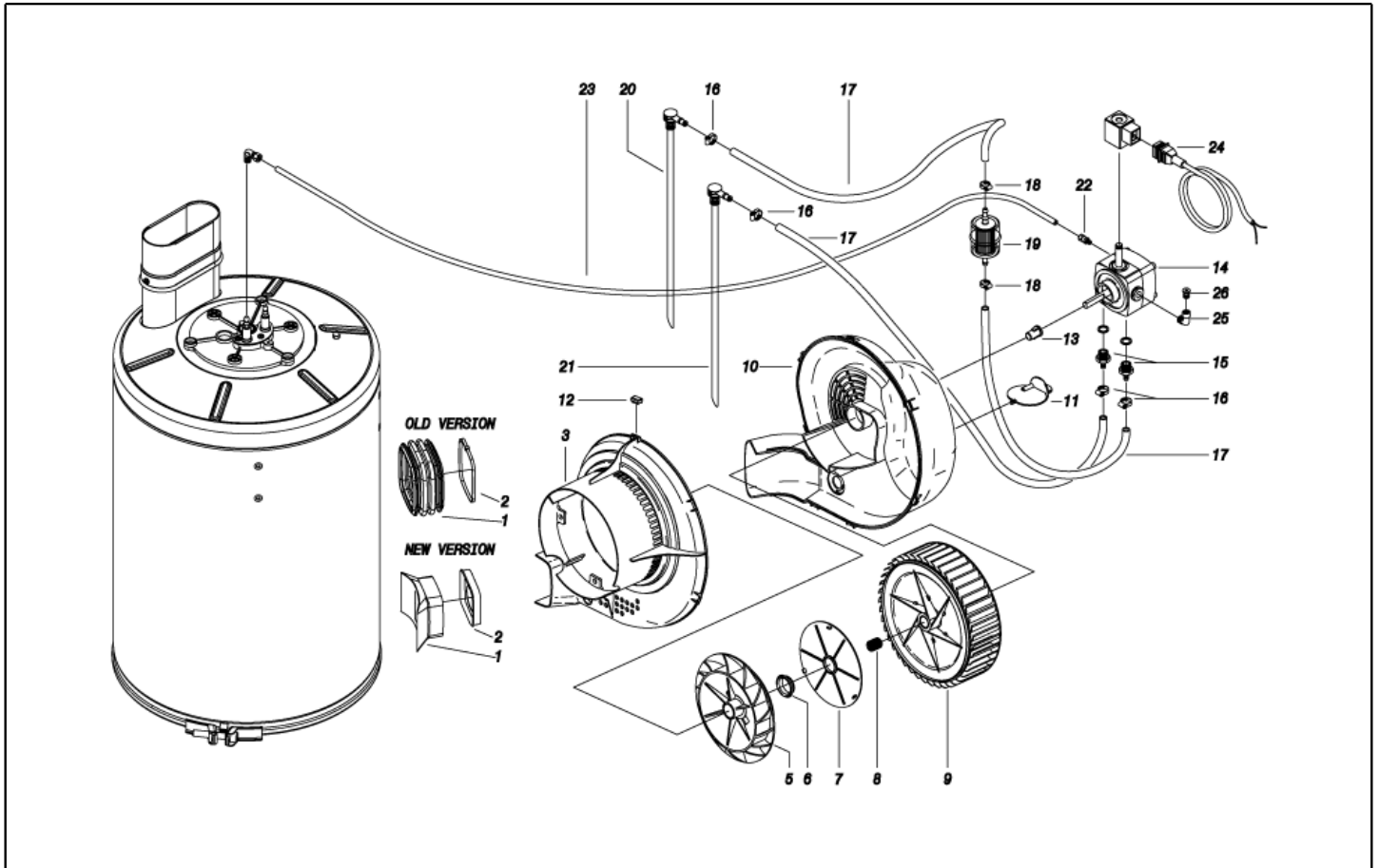
Ref. K	Part n.	Customer part n.	Description	Quantity	Validity		Price
					From	To	
0001	RCVR29600	00029600	SOCKET PTC 3/4 F	1,00			--
0002	RCVR37806	00037806	REDUCTION PTC 3/4-1/2 M/F	1,00			--
0003	GUGO37736	00037736	GASKET D. 10-19 X 5 70SH	1,00			--
0004	RCDS21223	00021223	RING NUT 1/2" X 5 NIK	1,00		30/11/2003	--
0004	RCDS49875	00049875	RING NUT 1/2" X 6 CH.27 OT.	1,00	01/12/2003		--
0005	FTAC30214	00030214	FILTER D.15X67	1,00			--
0006	VTRS00549	00000549	WASHER D.21,5X27X1,5 (1/2) RM	1,00			--
0007	GUGO89255	000089255	GASKET D. 17.5-24 X 2 EPDM	1,00	22/06/2005		--
0007	TBBP46227	00046227	L.P. HOSE L= 650 3/4F 90°- 1/2M	1,00	01/03/2002	09/10/2011	--
0007	TBBP48636	00048636	L.P. HOSE L= 950 3/4F 90°- 1/2M 0°	1,00	10/10/2011		--
0008	RCGR39997	00039997	FLOATER MTM 3/4G M 10BAR	1,00		01/04/2002	--
0008	RCGR60703	00060703	FLOATER MTM 3/4 PP. S/F.	1,00	02/04/2002	09/10/2011	--
0008	RCGR40005		FLOATER MTM 3/4 PP. S/F. +ADP.176	1,00	10/10/2011		--
0008	RCVR49974	00049974	RING NUT 3/4" X 4 NIK	1,00	10/10/2011		--
0009	FSVR00431	00000431	CLAMP D. 16-25	1,00	17/06/2002		--
0010	TBBP00055	00000055	L.P. HOSE D.15-23 10BAR AYTOK.	0,55		19/03/2002	--
0010	TBBP00055	00000055	L.P. HOSE D.15-23 10BAR AYTOK.	0,25	20/03/2002	04/06/2002	--
0010	TBBP15656	00015656	L.P. HOSE D.16-26 20BAR	0,25	05/06/2002	16/06/2002	--
0010	TBBP46847	00046847	L.P. HOSE L=300 3/4F 90° -15X26	1,00	17/06/2002	16/01/2004	--
0010	TBBP87602	00087602	L.P. HOSE L=350 3/4F 90°-LB.	1,00	17/01/2004		--
0011	RCVR46040	00046040	HOSE FITTING PPL D.15 -P.G3/4	1,00		19/03/2002	--
0012	RCVR46041	00046041	CONNECTION G. 3/4 P.PG. D.15 PPL	1,00		16/06/2002	--
0014	RCDS46142	00046142	NIPPLE 3/4 - 1/2 CB D. 6.0	1,00		16/01/2004	--
0014	RCDS87610	00087610	NIPPLE 3/4 - 1/2 CB D.13.0	1,00	17/01/2004		--
0015	FTAC46472	00046472	WATER FILTER 1/2 MF	1,00	20/02/2002	03/12/2004	--
0015	FTAC73009	00073009	WATER FILTER 1/2 MF	1,00	04/12/2004		--
0016	RCDS45446	00045446	TUBE D.16X2 90° OC.1/2"-G 1/2F	1,00			--
0017	VTRS12491	00012491	WASHER 1/2	2,00		30/11/2015	--
0017	VTRS40027		WASHER 1/2 ZC + NBR 85SH	2,00	01/12/2015		--
0018	RCDS16328	00016328	SCREW G 1/2 D.8	1,00			--
0019	PPAP45416	00045416	PUMP "63" EL1714V DX T.OT.H DS	1,00			--
0020	MFVR44328	00044328	COUNTERFLANGE H100 P176	1,00			--
0021	FGGT45424	00045424	FLEX. COUPLING W 1 2PZ. P176	1,00			--
0022	MOTR45411	00045411	3PH MOTOR P176 HP 6 400-504P H100	1,00		25/07/2002	--
0022	MOTR46922	00046922	3PH MOTOR P176 HP 6 400-504P SG	1,00	26/07/2002	30/06/2008	--
0022	MOTR88850		3PH MOTOR P176 HP 6 400-504P SG-D	1,00	01/07/2008		--
0023	GUGO03507	00003507	O-RING D. 13.95 X 2.62 VIT 70SH	1,00			--
0024	RCDS21480	00021480	NIPPLE 3/8 - 3/8 SV S.0R	1,00			--
0025	TBAP46212	00046212	HOSE-FITTING 3/8 R2 L=470 3/8F-F 90°	1,00			--
0026	RCDS00610	00000610	NIPPLE 3/8 - 3/8 SV	2,00			--
0027	VTRS00548	00000548	WASHER D.17,5X23X1,5 (3/8)RM	2,00	24/08/2011		--
0028	VVSC40006		VALVE MR 402 2X G3/8 F	1,00	20/06/2010		--
0028	VVSC40541	00040541	VALVE VS 220 2 G3/8 F	1,00		19/06/2010	--
0029	TBAP46211	00046211	HOSE-FITTING 3/8 R2 L=245 3/8F90-1/2P	1,00			--



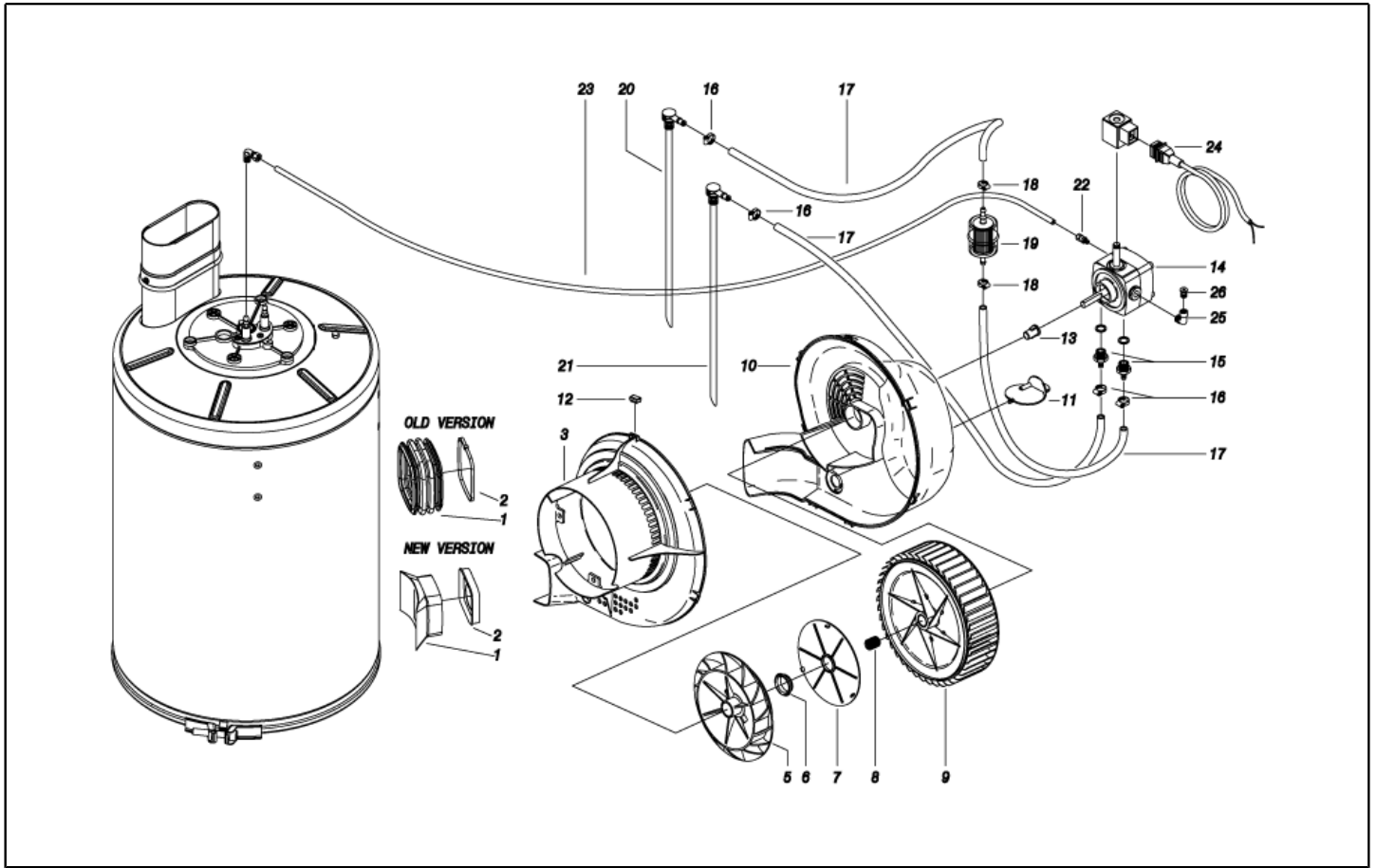
Ref. K	Part n.	Customer part n.	Description	Quantity	Validity		Price
					From	To	
0030	RCDS00593	00000593	SUMP IM 0-120 L=50	1,00			--
0031	MLML02623	00002623	SPRING IMT	1,00			--
0032	TBAP46228	00046228	HOSE-FITTING 3/ 8 VP L=485 M26+3/8F-P.	1,00	01/03/2002		--
0032	RCIN09348	00009348	MALE COUPLING 3/8MA L=32	1,00	22/05/2002		--
0033	RCDS21120	00021120	RING NUT M 26 X 1,5	1,00	01/03/2002		--
0034	RCVR03760	00003760	REDUCTION 3/8-1/8 M/F	1,00			--
0035	RCDS46197	00046197	REDUCTION 1/2-1/8 M/F OT CH.24	1,00			--
0037	TBAP40018		POLYAMIDE HOSE L=530 1/8OC.-1/4F0°	1,00	10/02/2008		--
0037	TBAP45876	00045876	POLYAMIDE HOSE L=510 1/8OC.-1/8OC.	2,00		09/02/2008	--
0038	TBAP40017		POLYAMIDE HOSE 3/16 L=450 1/8OC.-1/4F90°	1,00	10/02/2008		--
0039	RCDS15625	00015625	SCREW G 1/8 L=26	2,00		09/02/2008	--
0040	VVSF46732	00046732	PRESSURE VALVE P176 D.1.40 MV	1,00			--
0040	VVSF40001		PRESSURE VALVE P176/RG.	1,00	10/02/2008		--
0040	VVSF45434	00045434	PRESSURE VALVE P176	1,00		09/02/2008	--
0041	RCDS21223	00021223	RING NUT 1/2" X 5 NIK	1,00			--
0042	RCVR00573	00000573	ELBOW 1/4" M/F A10	1,00	04/04/2008		--
0042	RCVR35844	00035844	ELBOW 1/4-1/8 M/M NIK	1,00		09/02/2008	--
0042	RCVR62670	00062670	ELBOW 1/4" M/F A.P. OT.MTM	1,00	10/02/2008	03/04/2008	--
0043	TBAP40004		POLYAMIDE HOSE L=260 1/4 F-F	1,00	15/04/2007		--
0043	TBAP42069	00042069	POLYAMIDE HOSE L=260 1/4-1/4 F-F	1,00		14/04/2007	--
0044	MNMN07992	00007992	PRESSURE GAUGE 0-250 D.50	1,00		18/11/2003	--
0044	MNMN49621	00049621	PRESSURE GAUGE 0-250 D.50 INOX	1,00	19/11/2003		--
0045	VVSF46712	00046712	VALVE 1/4M -PG. D.3X7.5	1,00			--
0046	FSVR00427	00000427	CLAMP D. 12 CLIC 66-110	2,00			--
0047	TBBP00051	00000051	DETERGENT HOSE D. 6-12	0,78			--
0048	RCGR08069	00008069	TAP BODY DET. PRT	1,00			--
0049	GUGO12183	00012183	O-RING D. 23.4 X 3.53 VIT 70SH	1,00			--
0050	GUGO08071	00008071	O-RING D. 4.48 X 1.78 NBR 70SH	1,00			--
0051	RCGR08070	00008070	ADJUSTER PRT	1,00			--
0052	VTRS00542	00000542	WASHER D.14X20	1,00			--
0053	MLML08068	00008068	SPRING D.1,5 L.23	1,00			--
0054	RCDS46087	00046087	SUCTION L=400 CPL	1,00			--
0055	TBBP00058	00000058	L.P. HOSE D. 4- 7	0,72			--
0056	GUGO03500	00003500	O-RING D. 6.75 X 1.78 NBR 70SH	1,00			--
0073	RCDS87608	00087608	SLEEVE 1/2 M/F +1/4F CB.D.8.5 OT	1,00	17/01/2004		--
0074	GUGO19194	00019194	O-RING D. 11.11 X 1.78 NBR 70SH	1,00	17/01/2004	03/12/2004	--
0075	RCVR00659	00000659	CAP 1/4 M	1,00	17/01/2004	03/12/2004	--



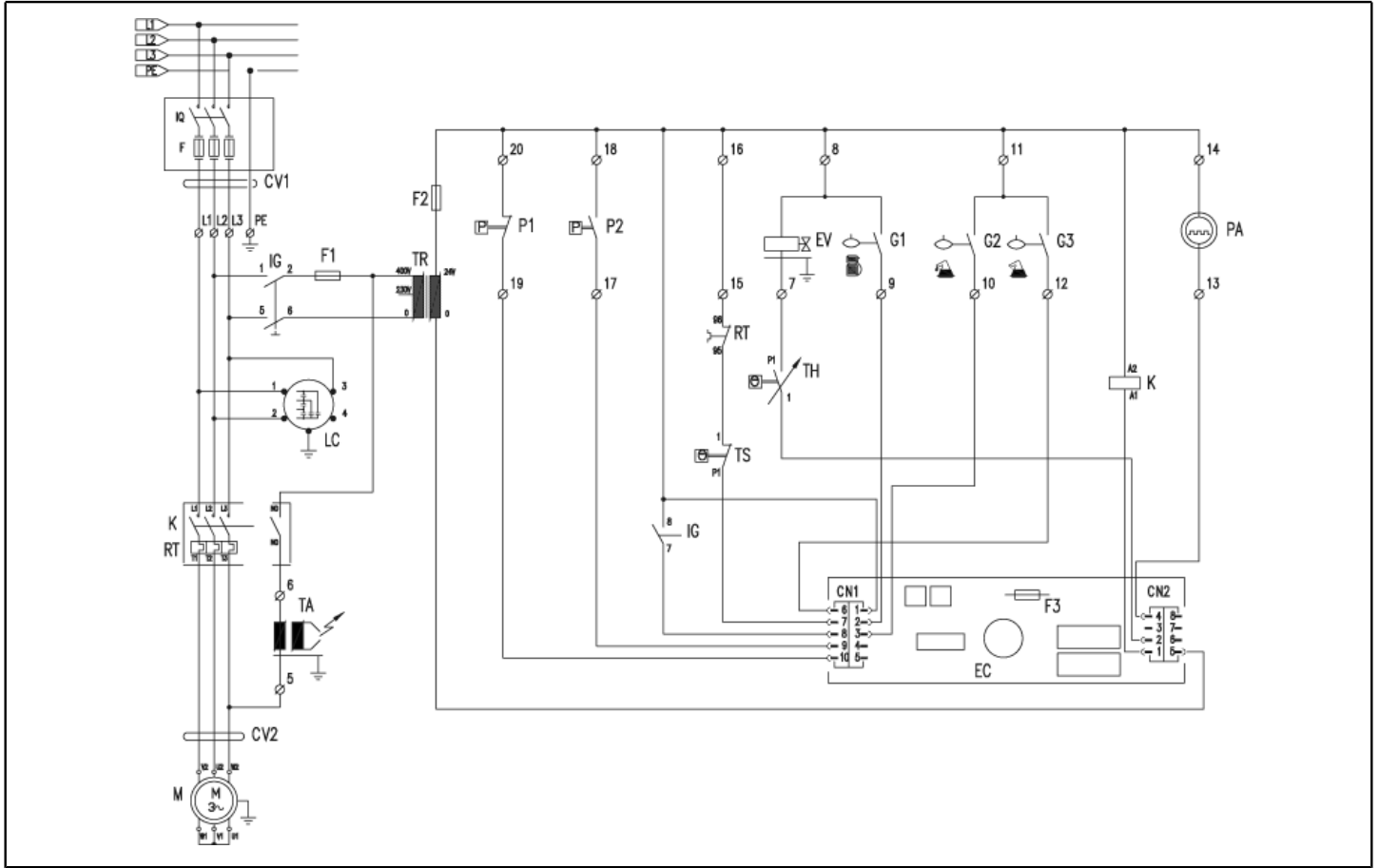
Ref. K	Part n.	Customer part n.	Description	Quantity	Validity		Price
					From	To	
0001	RCDS21120	00021120	RING NUT M 26 X 1,5	2,00			--
0002	GUGO21222	00021222	O-RING D. 15.54 X 2.62 VIT 80SH	2,00			--
0003	GUVR21021	00021021	ANTI-EXTR.RING D. 21 X17 TEF.	2,00			--
0004	LAFN44149	00044149	BOILER BOTTOM P176	1,00	01/03/2013		--
0005	ITTE44175	00044175	BOTTOM P176 C.TE	1,00	01/03/2013		--
0006	LAFN44151	00044151	BAND P176 INX	1,00	01/03/2013		--
0007	LAFN40037		RING D.342 P176 ZN 2V.CPL.	1,00	01/03/2013		--
0008	LAGR44154	00044154	DOUBLE COIL M26X1.5 P176 30MT	1,00	01/03/2013		--
0009	LASL40101		INT. CYLINDER PM INX	1,00	01/03/2013		--
0010	LAFN40274		EXT. CYLINDER PM-176 INX	1,00	01/03/2013		--
0011	LAFN40269		BOILER COVER SI PM INX	1,00	01/03/2013		--
0012	LAFN40270		BOILER COVER SE PM INX	1,00	01/03/2013		--
0013	LAFN44244	00044244	BAFFLE P176 30M INX	1,00	01/03/2013		--
0014	LAFN40271		PIN CH.10 X 67.7 M5M/M5M PM	3,00	01/03/2013		--
0015	MFVR18226	00018226	ELECTR.HOLDER FUT 3°V	1,00	01/03/2013		--
0016	LAFN07641	00007641	PLATE INX	1,00	01/03/2013		--
0017	MECA12525	00012525	ELECTRODE FUT	1,00	01/03/2013		--
0018	UGBR22576	00022576	BURNER NOZZLE 1.35 60 S	1,00	01/03/2013		--
0019	RCDS07642	00007642	NOZZLE HOLDER FUT	1,00	01/03/2013		--
0020	MPVR18228	00018228	OIL WARN-LIGHT D.17 X3	1,00	01/03/2013		--
0021	VTAE22633	00022633	SEEGER 0.4 X18,30X10,5	1,00	01/03/2013		--
0022	RCVR14014	00014014	BI-CONE CONNEX. DTT 1/8" M B1 D. 2/ 4 NIK	1,00	01/07/2013	31/10/2013	--
0022	RCVR72867		CONNECTOR A "T" 1/8" FFM	1,00	01/07/2013	31/10/2013	--
0022	RCVR08954	00008954	ELBOW 1/8"-4 B5	1,00	01/03/2015		--
0022	RCVR40126		BI-CONE CONNEX. T 1/8" M/F D. 4/ 6C NK.	1,00	01/11/2013	28/02/2015	--
0022	RCVR89230		CAP G 1/8 M C/O-RING.	1,00	01/07/2013	28/02/2015	--
0023	MECB34463	00034463	CABLE BT L=800 SP. FD	1,00			--
0024	MECV35334	00035334	CABLE A.T. 9.8-23KOH/M L= 400P	2,00			--
0025	TBCO40041		DIESEL HOSE P176 30MT D. 4 IX	1,00	20/07/2014		--
0025	TBCO46140	00046140	DIESEL HOSE P176 30MT D. 4	1,00		19/07/2014	--
0026	RCVR89230		CAP G 1/8 M C/O-RING.	1,00	01/03/2015		--



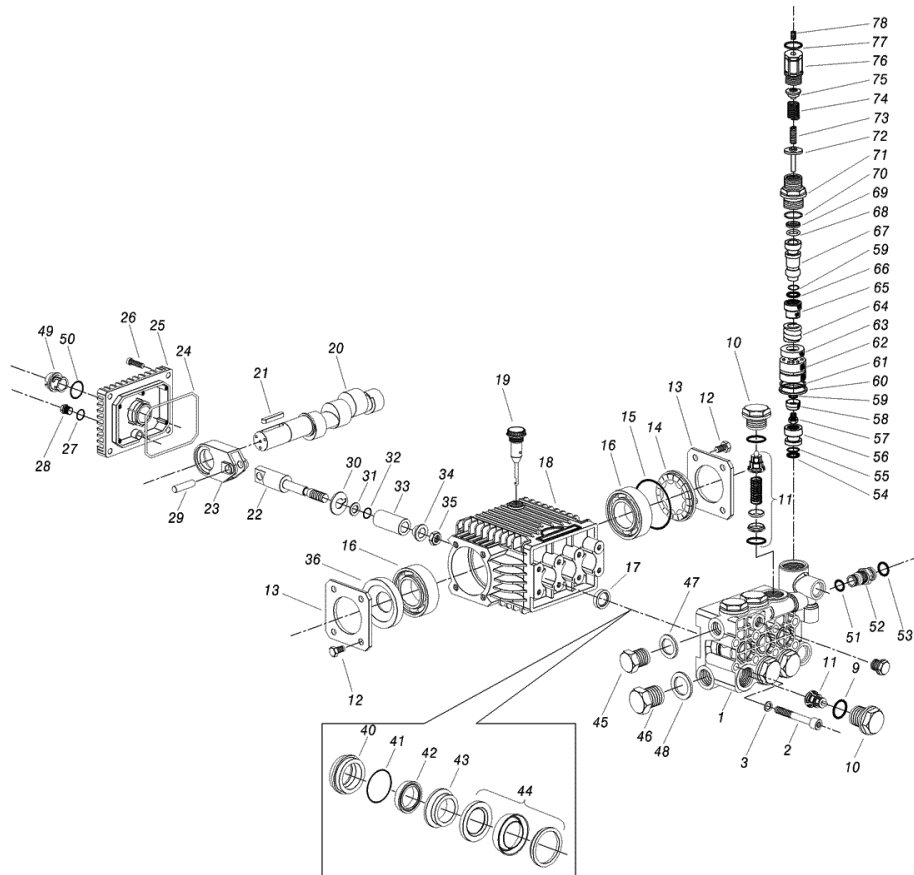
Ref. K	Part n.	Customer part n.	Description	Quantity	Validity		Price
					From	To	
0001	MPVR44176	00044176	SLEEVE P176 H= 50	1,00		05/06/2006	--
0001	MPVR88426		CONVEYOR P176 PA6 BK.	1,00	06/06/2006	31/10/2009	--
0001	MPVR88426		CONVEYOR P176 PA6 BK.	1,00	01/03/2013		--
0002	FSVR01873	00001873	CLAMP LG 31920 9 X500	1,00	12/02/2002	05/06/2006	--
0002	GUGO88425		GASKET P245 EPDM	1,00	06/06/2006		--
0003	E MPVR45488	00045488	SCROLL BODY P176 PP	1,00			--
0004	LAFN46100	00046100	SPACER D. 5.5/8.5-15 L= 9 P176	4,00		30/06/2002	--
0005	VEVR45443	00045443	MOTOR FAN P176 H 100	1,00			--
0006	E LAFN45783	00045783	BUSHING D. 30 P176	1,00			--
0007	MPVR45444	00045444	SEPARATOR P176 ABS	1,00			--
0008	VTVR45002	00045002	BUSHING D. 17-19X19 CPS.	1,00			--
0009	VEVR45487	00045487	IMPELLER P176 D.240 43P. PA6	1,00		20/06/2005	--
0009	E VEVR88781		IMPELLER P176 D.240 43P. 2V. PA6	1,00	21/06/2005		--
0010	MPVR45489	00045489	VENTILATOR COV. P176 ABS	1,00			--
0011	MPVR45445	00045445	BUTTERFLY VALVE P176 PP	1,00			--
0012	VTVR20127	00020127	CLIP KSM	8,00			--
0013	FGGT36513	00036513	JOINT HP 0.25 AACO	1,00			--
0014	PPGS46070	00046070	FUEL PUMP DLT VM2RR25	1,00		31/01/2005	--
0014	PPGS88589		FUEL PUMP DLT ALLUM. A2R2	1,00	01/02/2005	02/05/2011	--
0014	PPGS40006		FUEL PUMP DNF BFA 01R5L2	1,00	03/05/2011		--
0015	RCDS00626	00000626	HOSE FITTING 1/4 M D. 5- 7	2,00	03/05/2011		--
0016	FSVR00427	00000427	CLAMP D. 12 CLIC 66-110	4,00			--
0017	TBCO06945	00006945	L.P. HOSE D. 6-12 10BAR C.PRESS	0,20			--
0018	FSVR11197	00011197	CLAMP D.I. 11 13315	2,00			--
0019	FTCO34840	00034840	FUEL FILTER FB 7/A NYL.	1,00		07/04/2010	--
0019	FTCO40003		FUEL FILTER FB 7/TA 60mc NYL.	1,00	08/04/2010	24/02/2016	--
0019	FTCO40004		FUEL FILTER FB 7/T 60mc NYL.	1,00	25/02/2016		--
0020	RCDS46087	00046087	SUCTION L=400 CPL	1,00			--
0021	RCDS46247	00046247	SUCTION L=213 CPL	1,00	19/01/2002		--
0022	RCVR14014	00014014	BI-CONE CONNEC. DTT 1/8" M B1 D. 2/ 4 NIK	1,00	03/05/2011		--
0024	MECB46130	00046130	CABLE DLT L=1100	1,00			--
0025	RCVR34780	00034780	ELBOW 1/8" M/F A10	1,00	01/03/2015		--
9999	VTAE33647	00033647	CIRCLIP D. 19 UNI 7435	1,00	21/06/2005		--



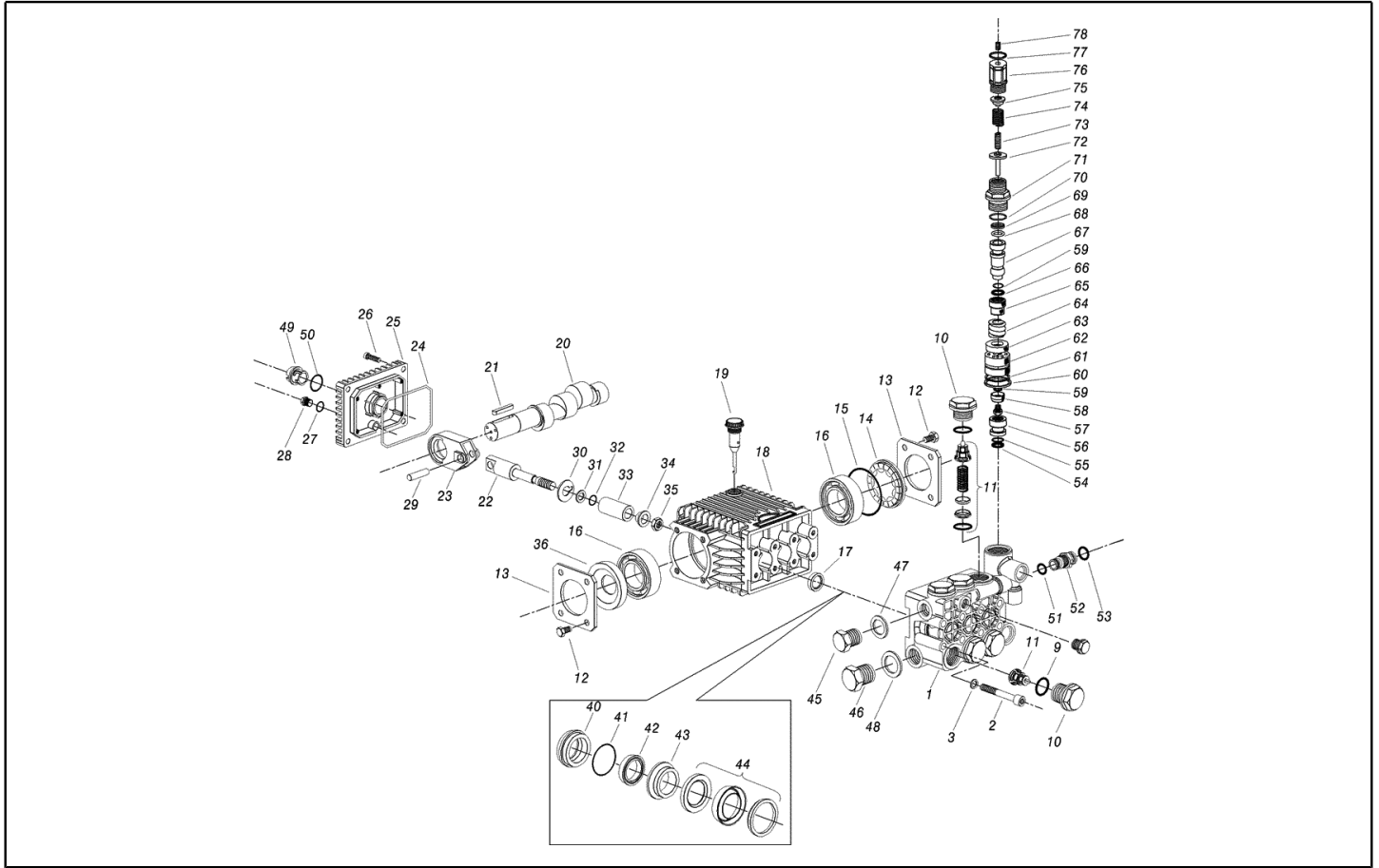
Ref. Part n.	Cust. part n.	Description	Reference	Price
KTRI40032		KIT PX 2- 6 VENT.P176	0003 0006 0009	--



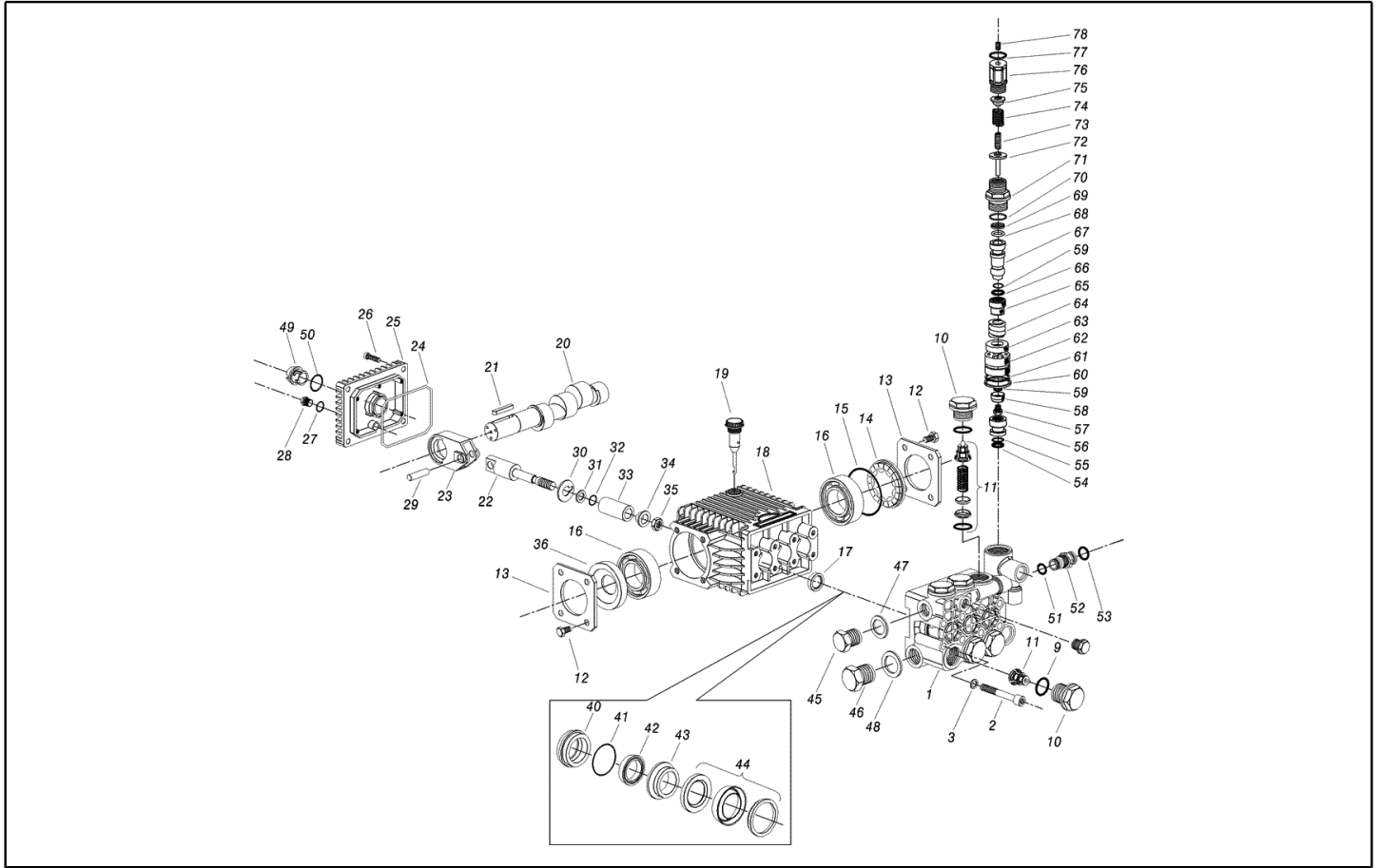
Ref. K	Part n.	Customer part n.	Description	Quantity	Validity		Price
					From	To	
K	METT40008		CONTACTOR SIE 3RT 2016-1AB01 24V	1,00	01/10/2014	--	--
K	METT43990	00043990	CONTACTOR SIE 3RT 1017 1AB01 5/60HZ	1,00		30/09/2014	--
EC	MECE44178	00044178	PCB P176 T-ST/MP/LIV. 24V	1,00			--
EV	MEBE22173	00022173	COIL DLT 24-50	1,00		31/01/2005	--
EV	MEBE48504	00048504	COIL DLT 24-50 NF84	1,00	01/02/2005	02/05/2011	--
EV	MEBE43704	00043704	COIL DNF 24-50	1,00	03/05/2011		--
F1	MEVR00237	00000237	FUSE 5X20 3,15A	1,00		19/11/2002	--
F1	MEVR47933	00047933	FUSE 5X20 T 0,25A	1,00	20/11/2002	15/12/2003	--
F2	MEVR02824	00002824	FUSE 5X20 1A	1,00		15/12/2003	--
G2	MECI46804	00046804	SENSOR LEVEL S1.PML.M16 +KIT GU/DA-FST	1,00	09/01/2004		--
IG	MECI40017		COMMUTAT.SWITCH 0-1-2 UN.	1,00	15/01/2011		--
IG	MECI40544	00040544	COMMUTAT.SWITCH 0-1-2 HD12H022-R000	1,00		14/01/2011	--
LC	MECE46139	00046139	FILTER FC RFI 475V	1,00			--
P1	MEPF39901	00039901	PRESSURE SWITCH MTM 1/4M NA/NC 15B. MICRO	1,00		31/08/2012	--
P1	MEPF71856	00071856	PRESSURE SWITCH PR 5 1/4M 15BAR	1,00	01/09/2012		--
P2	MEPF39902	00039902	PRESSURE SWITCH MTM 1/4M NA/NC 25B. MICRO	1,00		31/08/2012	--
P2	MEPF76254	00076254	PRESSURE SWITCH PR 5 1/4M 25BAR	1,00	01/09/2012		--
PA	MEPD45940	00045940	DESCALING PUMP NME 1 24V 50/60HZ	1,00			--
RT	METT40034		THERMAL RELAY SIE 3RU2116-1KB0 9-12.5A	1,00	01/10/2014		--
RT	METT45028	00045028	THERMAL RELAY SIE 3RU1116-1KB0 9-12 A	1,00		30/09/2014	--
TA	METR34821	00034821	TRANSFORMER 400V-50HZ 2X4000V SP4 CM	1,00			--
TH	METK19354	00019354	THERMOSTAT 0-150° L=1500	1,00		14/12/2010	--
TH	METK40006		THERMOSTAT 0-150° L=1500 S&R	1,00	15/12/2010	31/12/2012	--
TH	METK40011		THERMOSTAT 0-150° L=1500 F&C	1,00	01/01/2013		--
TR	METR11977	00011977	TRANSFORMER 35VA 230-400/24 50/60HZ	1,00		04/02/2008	--
TR	METR40003		TRANSFORMER 35VA 230-400/24 5/60HZ PM	1,00	05/02/2008		--
TS	METK34839	00034839	THERMOSTAT 60°C TR/711-N C.1.5	1,00			--
CV1	MECB17414	00017414	CABLE H07 RNF 4X2.5 L=6.500	1,00			--
F1,2	MEVR07043	00007043	FUSE 5X20 2A T	2,00	16/12/2003		--
G1,3	MECI40006		SENSOR LEVEL S1.PML.XD.FPJ.FST.	1,00	20/05/2008		--
G1,3	MECI49945	00049945	SENSOR LEVEL S1.PML.15NO-FST +G.1/2	2,00	09/01/2004	14/07/2008	--
G1,3	MECI46804	00046804	SENSOR LEVEL S1.PML.M16 +KIT GU/DA-FST	1,00	02/04/2002	19/05/2008	--
G123	MECI46015	00046015	SENSOR LEVEL S1.PML.M16 +KIT GU/DA	1,00		01/04/2002	--
G123	MECI46804	00046804	SENSOR LEVEL S1.PML.M16 +KIT GU/DA-FST	2,00	02/04/2002	08/01/2004	--



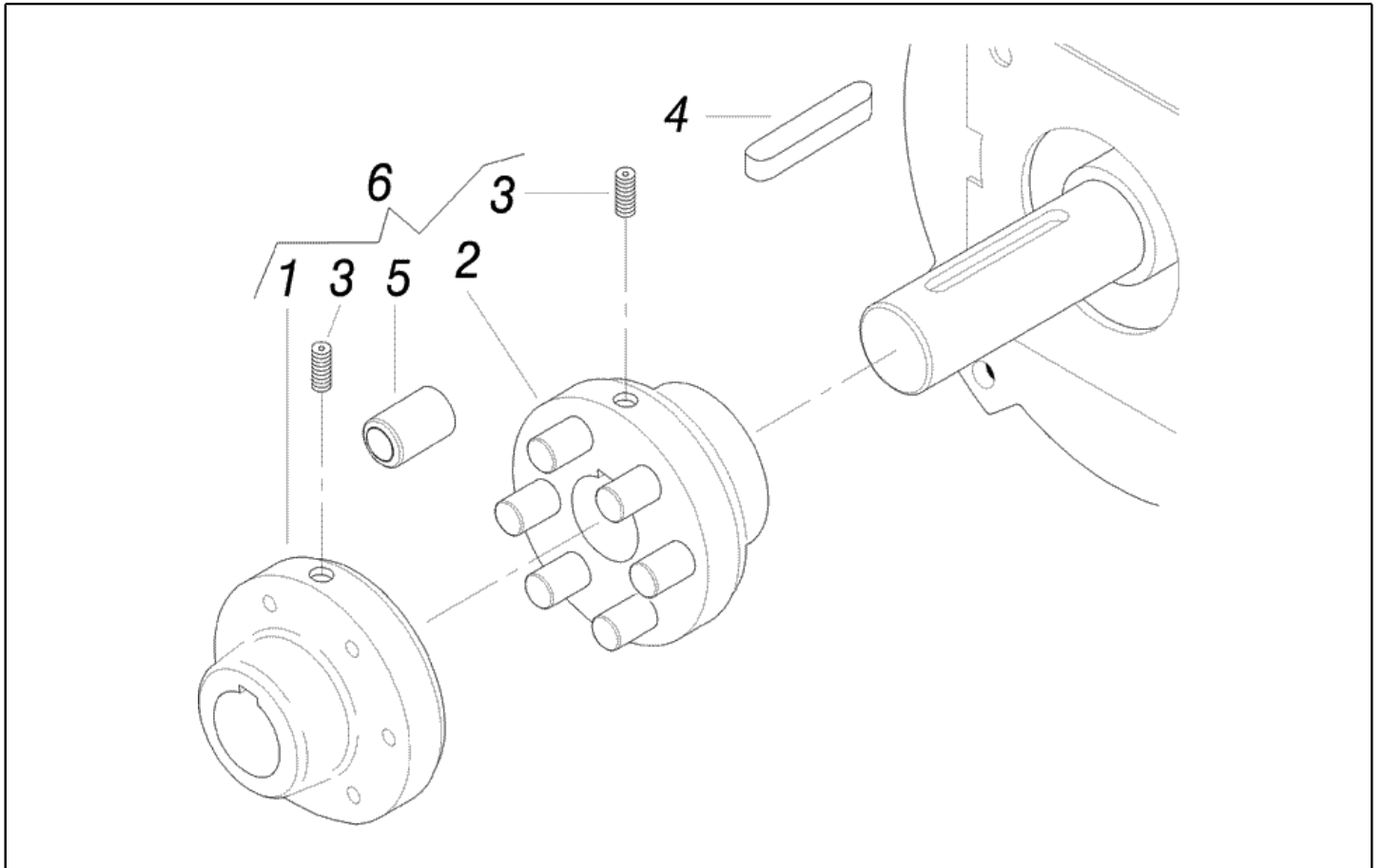
Ref. K	Part n.	Customer part n.	Description	Quantity	Validity		Price
					From	To	
0001	MFVR46813	00046813	HEAD "63" D.18 V.INT.TS OT	1,00			--
0002	VTVT46018	00046018	SCREW TCEI M 8X 65 UNI 5931 TRP	8,00			--
0003	VTRS14242	00014242	WASHER D. 8.4X13X0,8 UNI7064 SCH	8,00			--
0009	S GUGO19395	00019395	O-RING D. 20.24 X 2.62 NBR 70SH	6,00			--
0010	S RCDS28466	00028466	CAP M24X1.5X17 "44"	6,00			--
0011	S VVAM28467	00028467	VALVE UNIT "44" WW136-186	6,00			--
0012	VTVT01109	00001109	SCREW TE M 6X 10 ZC. UNI 5739	8,00			--
0013	MFVR03562	00003562	CRANKASE COVER W 70	2,00			--
0014	MFVR28454	00028454	SPACER "44"	1,00			--
0015	GUGO01040	00001040	O-RING D. 55.56 X 3.53 NBR 70SH	1,00			--
0016	CUVR09654	00009654	BALL BEARING 6305	2,00			--
0017	S GUGO46019	00046019	OIL SEAL 18X 26X 6 -L.CM -NBR70SH	3,00			--
0018	MFVR46020	00046020	PUMP CRANKCASE "63"	1,00			--
0019	PVVR01089	00001089	OIL DIPSTICK W 70	1,00			--
0020	ALMO46815	00046815	SHAFT "63" N C.13 D.24	1,00			--
0021	VTVR45821	00045821	KEY 8X 7X22 UNI 6604	1,00			--
0022	PVVR46022	00046022	PISTON GUIDE "63"	3,00			--
0023	BLVR46023	00046023	CONNECTING ROD "63"	3,00			--
0024	GUGO18695	00018695	O-RING D. 101.27 X 2.62 NBR 70SH	1,00			--
0025	MFVR46024	00046024	CRANKASE COVER "63"	1,00			--
0026	VTVT01114	00001114	SCREW TCEI 6X14 UNI 5931	4,00			--
0027	GUGO01036	00001036	O-RING D. 10.82 X 1.78 NBR 70SH	1,00			--
0028	RCDS01088	00001088	CAP 1/4X 9 M WW90	2,00			--
0029	PVVR46025	00046025	GUDGEON D. 9X27,5 "63"	3,00			--
0030	VTRS46026	00046026	WASHER D. 9X25X0,5 "63"	3,00			--
0031	GUVR10257	00010257	ANTI-EXTR.RING WW161	3,00			--
0032	GUGO10464	00010464	O-RING D. 5.28 X 1.78 NBR 70SH	3,00			--
0033	PIVR28455	00028455	PISTON D.18 "44"	3,00			--
0034	VTRS46027	00046027	WASHER D. 8 C/CLL.	3,00			--
0035	VTDD04284	00004284	NUT M8X1,25 X13X5 S2 INX	3,00			--
0036	GUGO28465	00028465	OIL SEAL 25X 62X10 NBR70	1,00			--
0040	S PVVR46028	00046028	PACKING RETAIN. D. 18 "63"	3,00			--
0041	S GUGO01263	00001263	O-RING D. 28.30 X 1.78 NBR 70SH	3,00			--
0042	S GUVR46029	00046029	PACKING D. 18 L.P. "63"	3,00			--
0043	S PVVR46030	00046030	INTERMED. RING D. 18 "63"	3,00			--
0044	S GUVR46031	00046031	PACKING D. 18 H.P. "63"	3,00			--
0045	RCDS01090	00001090	CAP 3/8X13 M WW90	1,00			--
0046	RCDS01091	00001091	CAP 1/2X10 M	1,00			--
0047	VTRS01074	00001074	WASHER D.17,05X22,3 X1,5	1,00			--
0048	VTRS01075	00001075	WASHER D.21,5X27 ALL	1,00			--
0049	PVVR46032	00046032	OIL INDICATOR S."63"	1,00			--
0050	GUGO01044	00001044	O-RING D. 26.58 X 3.53 NBR 70SH	1,00			--
0051	GUGO19194	00019194	O-RING D. 11.11 X 1.78 NBR 70SH	1,00			--
0052	PVVR46785	00046785	CONNECTOR TS "63" VALV.H	1,00			--



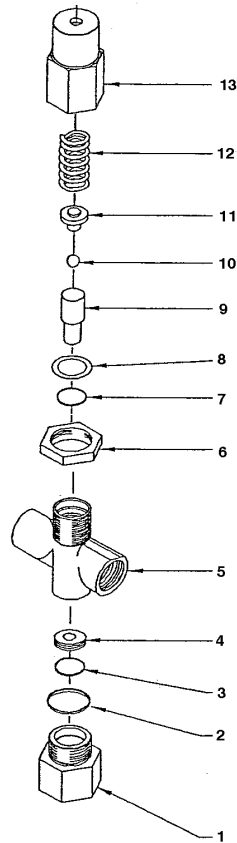
Ref. K	Part n.	Customer part n.	Description	Quantity	Validity		Price
					From	To	
0053	GUGO09720	00009720	O-RING D. 14 X 1.78 NBR 70SH	1,00			--
0054	S GUVR11651	00011651	ANTI-EXTR.RING D. 10.6X15X2	1,00			--
0055	S GUGO03501	00003501	O-RING D. 9.92 X 2.62 VIT 70SH	1,00			--
0056	S PVVR12887	00012887	VALVE SEAT CONTROL SET W1	1,00			--
0057	S VTVT18667	00018667	SCREW M 5X0,8X7,5	1,00			--
0058	S PVVR18668	00018668	VALVE CLT	1,00			--
0059	S GUGO03497	00003497	O-RING D. 6.75 X 1.78 VIT 80SH	2,00			--
0060	S GUVR28469	00028469	ANTI-EXTR.RING D.22 X25X1,5	1,00			--
0061	S GUGO08182	00008182	O-RING D. 21.91 X 1.78 NBR 70SH	1,00			--
0062	S PVVR28470	00028470	VALVE GUIDE "44"	1,00			--
0063	S PVVR28471	00028471	VALVE "44"	1,00			--
0064	S MLML28472	00028472	SPRING D. 18.5 X11 "44"	1,00			--
0065	S PVVR28473	00028473	SPACER "44"	1,00			--
0066	S GUVR04309	00004309	ANTI-EXTR.RING HM	1,00			--
0067	S PVVR28474	00028474	CONTROL PISTON "44"	1,00			--
0068	S GUGO01946	00001946	O-RING D. 9.13 X 2.62 VIT 70SH	1,00			--
0069	S GUVR01940	00001940	ANTI-EXTR.RING D. 9.5X14X1,5	1,00			--
0070	GUGO01037	00001037	O-RING D. 23.81 X 2.62 NBR 70SH	1,00			--
0071	PVVR28475	00028475	BUSHING "44"	1,00			--
0072	PVVR28476	00028476	SPRING PLATE "44" INF.	1,00			--
0073	MLML28477	00028477	SPRING D. 7.6 X29 "44"	1,00			--
0074	MLML11655	00011655	SPRING D.15X35	1,00			--
0075	PVVR11656	00011656	SPRING PLATE W1	1,00			--
0076	PVVR18672	00018672	REGISTER COLT	1,00			--
0077	GUGO01057	00001057	O-RING D. 20.35 X 1.78 NBR 70SH	1,00			--
0078	VTVT20196	00020196	SCREW EI-ST 8X20 UNI5923	1,00			--



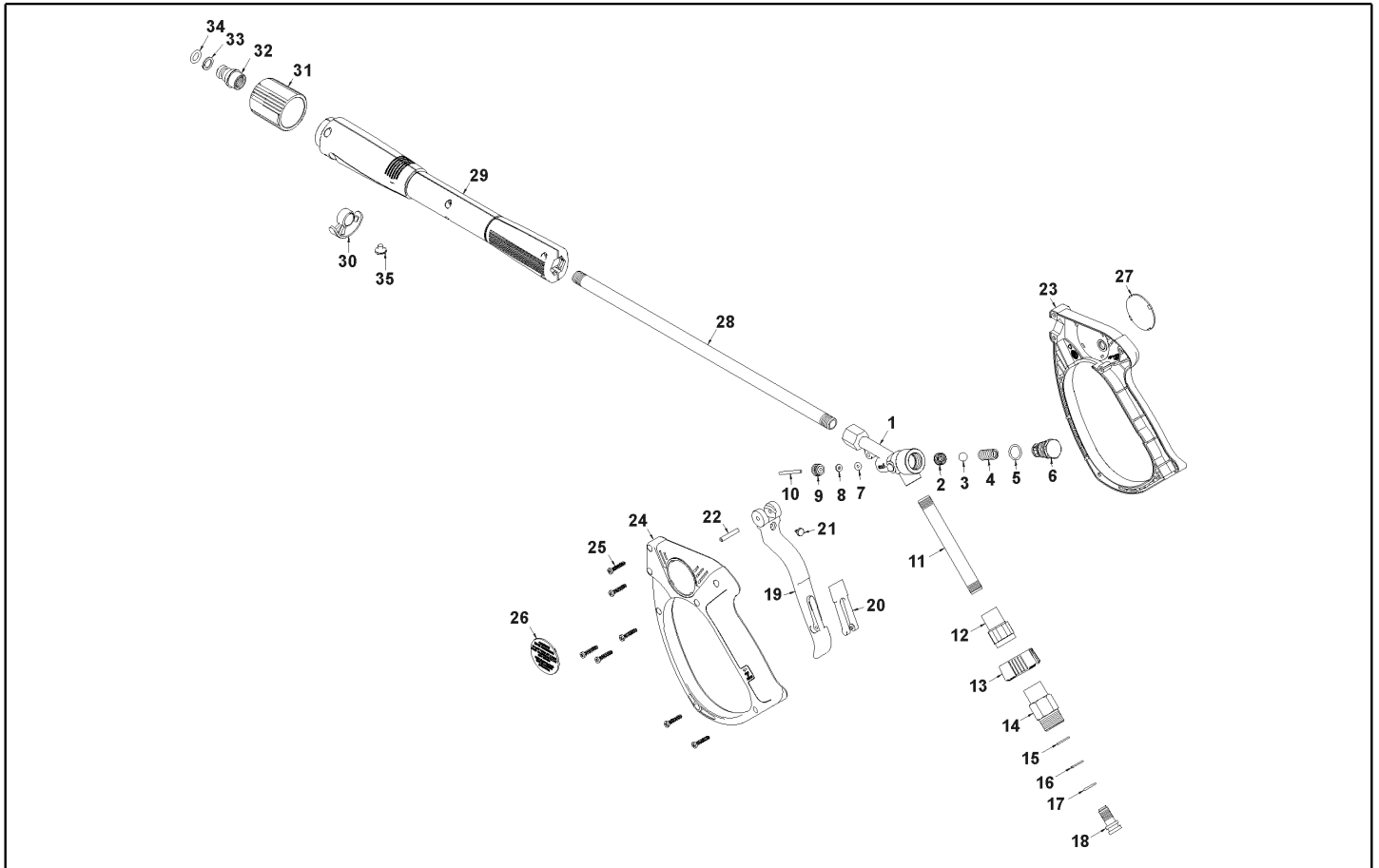
Ref. Part n.	Cust. part n.	Description	Reference	Price
KTRI28508		KIT P 15-123	0011	--
KTRI28510		KIT P 15-124	0009 0010	--
KTRI28526		KIT P 137	0054 0055 0056 0057 0058 0059 0060 0061 0062 0063 0064 0065 0066 0067 0068 0069	--
KTRI46033		KIT P 15-159	0017	--
KTRI46034		KIT P 15-161	0042 0044	--
KTRI46035		KIT P 15-163	0040	--
KTRI46036		KIT P 15-165	0043	--
KTRI46037		KIT P 15-167	0040 0041 0042 0043 0044	--



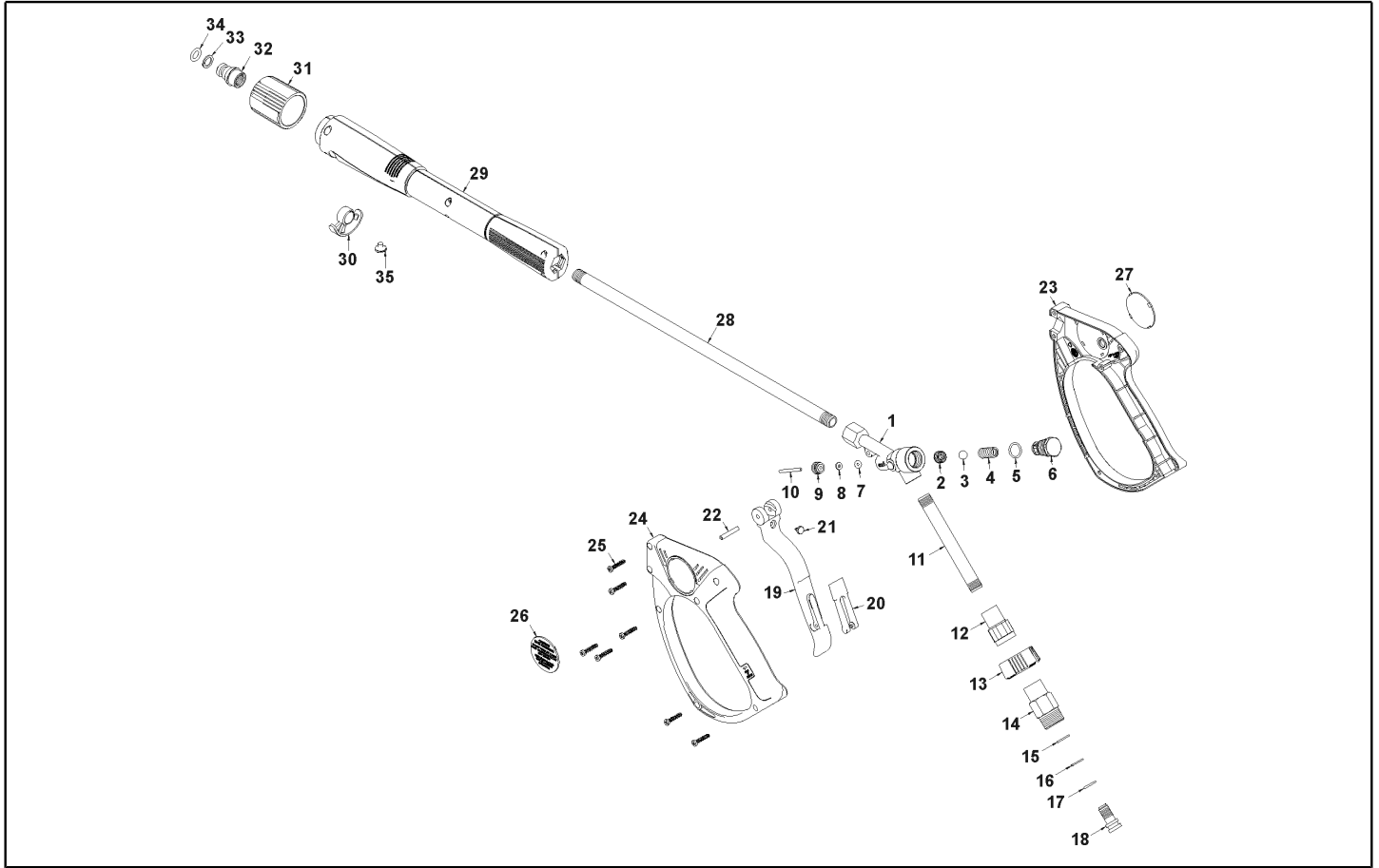
Ref. K	Part n.	Customer part n.	Description	Quantity	Validity		Price
					From	To	
0001	FGGT46926	00046926	HALF COUPLING W1	1,00			--
0002	FGGT40000		HALF COUPLING W1 MOT.	1,00			--
0003	VTVT76580	00076580	SCREW M 8X 10 EI ST UNI 5929 Z	2,00			--
0004	VTVR45821	00045821	KEY 8X 7X22 UNI 6604	1,00			--
0005	FGGT04612	00004612	BUSHING IP	6,00			--
0006	FGGT45424	00045424	FLEX. COUPLING W 1 2PZ. P176	1,00			--
0001	FGGT46926	00046926	HALF COUPLING W1	1,00			--
0002	FGGT40000		HALF COUPLING W1 MOT.	1,00			--
0003	VTVT76580	00076580	SCREW M 8X 10 EI ST UNI 5929 Z	2,00			--
0004	VTVR45821	00045821	KEY 8X 7X22 UNI 6604	1,00			--
0005	FGGT04612	00004612	BUSHING IP	6,00			--
0006	FGGT45424	00045424	FLEX. COUPLING W 1 2PZ. P176	1,00			--



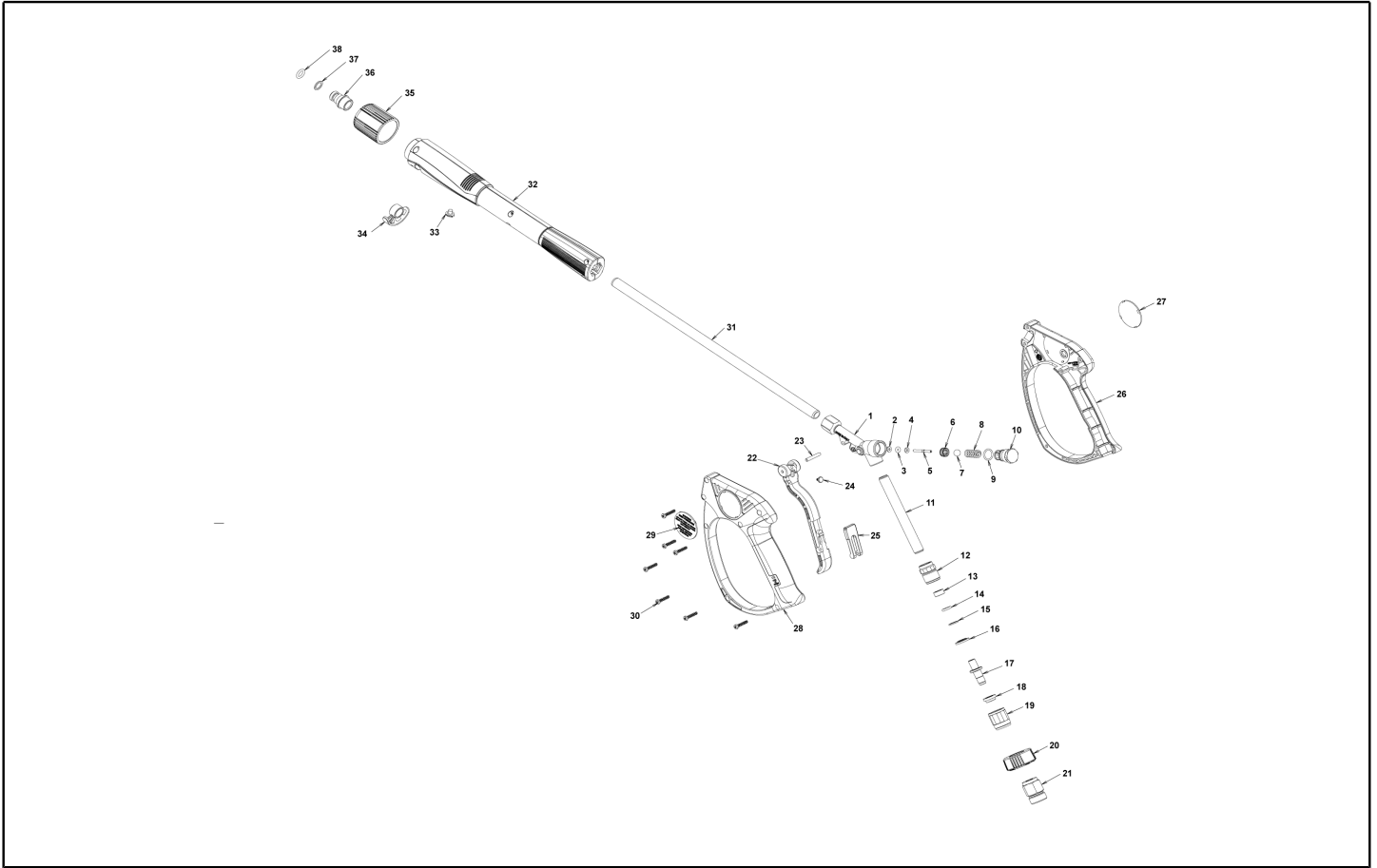
Ref. K	Part n.	Customer part n.	Description	Quantity	Validity		Price
					From	To	
0001	RCVR61105	00061105	CONNECTOR VS 220	1,00			--
0002	GUGO03505	00003505	O-RING D. 15.6 X 1.78 NBR 70SH	1,00			--
0003	GUGO10800	00010800	O-RING D. 10 X 1 NBR 70SH	1,00			--
0004	PVVR61091	00061091	VALVE SEAT 4,5X12X4 MM	1,00			--
0005	PVVR61073	00061073	VALVE BODY VS 220	1,00			--
0006	VTDD33553	00033553	LOCKNUT M 24	1,00			--
0007	GUGO63424	00063424	O-RING D. 7.66	1,00			--
0008	GUVR11936	00011936	ANTI-EXTR.RING D. 8 X11 PA	1,00			--
0009	PVVR33551	00033551	PISTON PA	1,00			--
0010	SFVR61110	00061110	BALL VS 220	1,00			--
0011	PVVR61099	00061099	SUPPORT VS 220	1,00			--
0012	MLML61052	00061052	SPRING 170 B. VS 220	1,00			--
0013	PVVR61080	00061080	SLEEVE VS 220	1,00			--



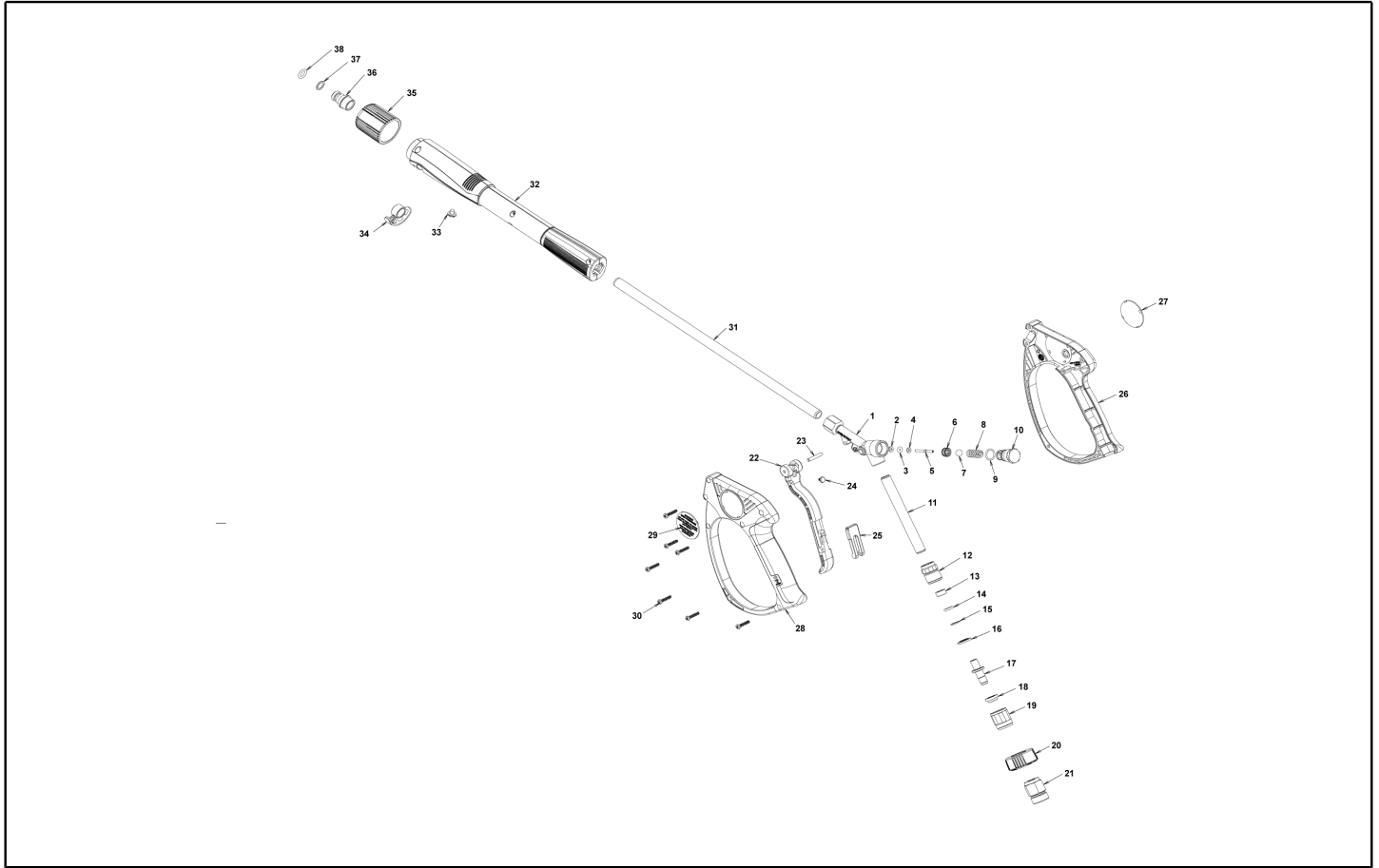
Ref. K	Part n.	Customer part n.	Description	Quantity	Validity		Price
					From	To	
0001	PVVR40111		GUN BODY G 5000 G1/4F	1,00			--
0002	S PVVR40112		BALL SEAT G 5000	1,00			--
0003	S SFVR06779	00006779	BALL INOX 11/32	1,00			--
0004	S MLML40016		SPRING D. 9.4 x21.5x1.6 G5000	1,00			--
0005	S GUGO21841	00021841	O-RING D. 12.42 X 1.78 NBR 90SH	1,00			--
0006	PVVR40113		CAP G 5000	1,00			--
0007	S GUGO17952	00017952	O-RING D. 2.84 X 2.62 NBR 70SH	1,00			--
0008	S GUVR40032		ANTI-EXTR.RING D. 3	1,00			--
0009	S PVVR40114		PISTON GUIDE G 5000	1,00			--
0010	S PVVR40115		SMALL PISTON G 5000	1,00			--
0011	PVVR40116		TUBE G 1/4" L.110	1,00			--
0012	RCIN40007		CONNECTOR SWIV G5000 1/4F	1,00			--
0013	MPVR40190		RING NUT G 5000 SW.	1,00			--
0014	RCIN40008		JOINT SWIV 5000 M22	1,00			--
0015	S PVVR40117		RING SW. G 5000	1,00			--
0016	S GUVR40033		ANTI-EXTR.RING D. 11	1,00			--
0017	S GUGO01036	00001036	O-RING D. 10.82 X 1.78 NBR 70SH	1,00			--
0018	PVVR40118		SCREW SW. G 5000	1,00			--
0019	MPVR40191		TRIGGER G 5000-SW	1,00			--
0020	MPVR40192		SAFETY-DEVICE G 5000-SW	1,00			--
0021	PVVR45053	00045053	PAWL G 2100 INX	1,00			--
0022	VTVR40008		PLUG D. 3 G5000	1,00			--
0023	MPVR40193		SHELL G 5000-SW 2PZ.	1,00			--
0024	MPVR40193		SHELL G 5000-SW 2PZ.	1,00			--
0025	VTVT62984	00062984	SCREW TC-CR M 4.2 X19 ZN	7,00			--
0026	MPVR40194		PLATE G 5000 GR.	1,00			--
0027	MPVR40194		PLATE G 5000 GR.	1,00			--
0028	LCPR40015		TUBE 1/4 L=370 ZC. 0°	1,00			--
0029	MPVR40195		PROTECTION P 370 MV	1,00			--
0030	MPVR40197		CAP G 5000 FIX.	1,00			--
0031	PVVR40119		CONNECTION M22X1.5 IRV G5000	1,00			--
0032	RCIN40009		GUDGEON G 1/4 F IRV G5000	1,00			--
0033	S GUVR40034		ANTI-EXTR.RING D. 10 X14	1,00			--
0034	S GUGO28927	00028927	O-RING D. 9.13 X 2.62 NBR 70SH	1,00			--
0035	MPVR40198		CAP G 5000	1,00			--



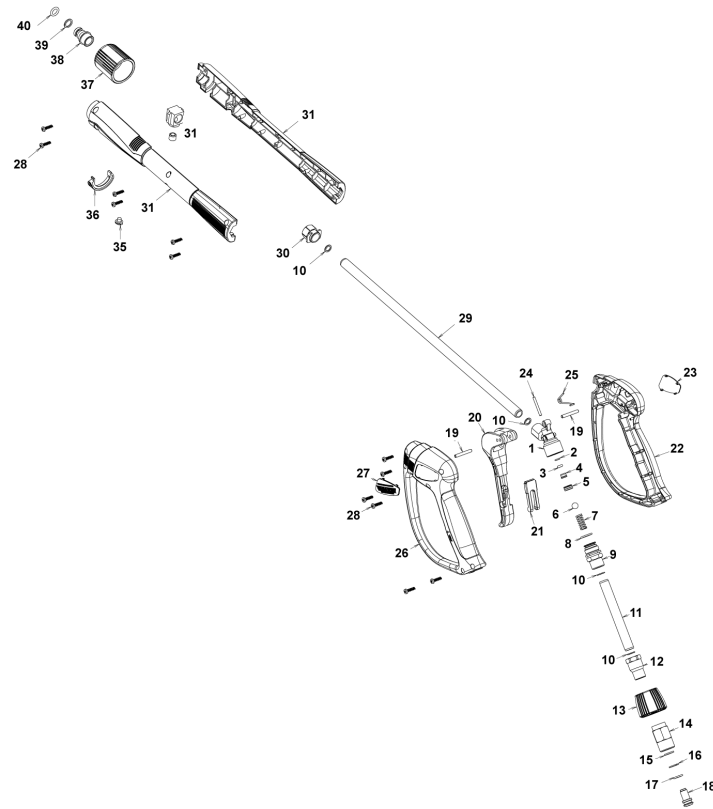
Ref. Part n.	Cust. part n.	Description	Reference	Price
KTRI40090		KIT P 26- 23 G 5000-SW	0002 0003 0004 0005 0008 0009 0010 0015 0016 0017 0033 0034 0007	--
KTRI40091		KIT P 33- 13 OR G5000-SW	0033 0034	--



Ref. K	Part n.	Customer part n.	Description	Quantity	Validity		Price
					From	To	
0001	PVVR40402		GUN BODY G5000-V/2 G1/4F	1,00			--
0002	S GUGO17952	00017952	O-RING D. 2.84 X 2.62 NBR 70SH	1,00			--
0003	S GUGO21835	00021835	O-RING D. 2.84 X 2.62 VIT. 80SH	1,00			--
0004	S VTRS40024		WASHER D. 3 X 7 X1,5 OT	1,00			--
0005	S PVVR40404		SMALL PISTON G5000-V/2	1,00			--
0006	S PVVR40112		BALL SEAT G 5000	1,00			--
0007	S SFVR06779	00006779	BALL INOX 11/32	1,00			--
0008	MLML40016		SPRING D. 9.4 x21.5x1.6 G5000	1,00			--
0009	S GUGO21841	00021841	O-RING D. 12.42 X 1.78 NBR 90SH	1,00			--
0010	PVVR40113		CAP G 5000	1,00			--
0011	PVVR40405		TUBE G 1/4" L.115	1,00			--
0012	RCIN40024		CONNECTOR SWIV G5000-V/2 1/4F	1,00			--
0013	S PVVR40406		BUSHING G5000-V/2	1,00			--
0014	S PVVR40403		RING SW. G5000-V/2	1,00			--
0015	S GUVR40081		ANTI-EXTR.RING D.9 X13.2X1.2	1,00			--
0016	S PVVR40407		SPACER G5000-V/2	1,00			--
0017	S PVVR40408		PIN G5000-V/2	1,00			--
0018	S PVVR40409		BUSHING C/GRAD. G5000-V/2	1,00			--
0019	PVVR40410		NIPPLE G5000-V/2	1,00			--
0020	PVVR40411		KNOB SWIVEL G5000-V/2	1,00			--
0021	RCIN40025		CONNECTOR SWIV G5000-V/2 M22	1,00			--
0022	S MPVR40628		TRIGGER G5000-V/2	1,00			--
0023	S VTVR40008		PLUG D. 3 G5000	1,00			--
0024	S PVVR45053	00045053	PAWL G 2100 INX	1,00			--
0025	S MPVR40629		SAFETY-DEVICE G 5000-SW	1,00			--
0026	MPVR40630		SHELL G5000-V/2 DX	1,00			--
0027	MPVR40631		PLATE G5000-V/2	1,00			--
0028	MPVR40632		SHELL G5000-V/2 SX	1,00			--
0029	MPVR40633		PLATE G5000-V/2 SX	1,00			--
0030	VTVT62984	00062984	SCREW TC-CR M 4.2 X19 ZN	7,00			--
0031	LCPR40015		TUBE 1/4 L=370 ZC. 0°	1,00			--
0032	MPVR40195		PROTECTION P 370 MV	1,00			--
0033	MPVR40198		CAP G 5000	1,00			--
0034	MPVR40197		CAP G 5000 FIX.	1,00			--
0035	PVVR40119		CONNECTION M22X1,5 IRV G5000	1,00			--
0036	RCIN40009		GUIDGEON G 1/4 F IRV G5000	1,00			--
0037	GUVR40034		ANTI-EXTR.RING D. 10 X14	1,00			--
0038	GUGO40055		O-RING D. 2.62 X 9.19 - VITON	1,00			--



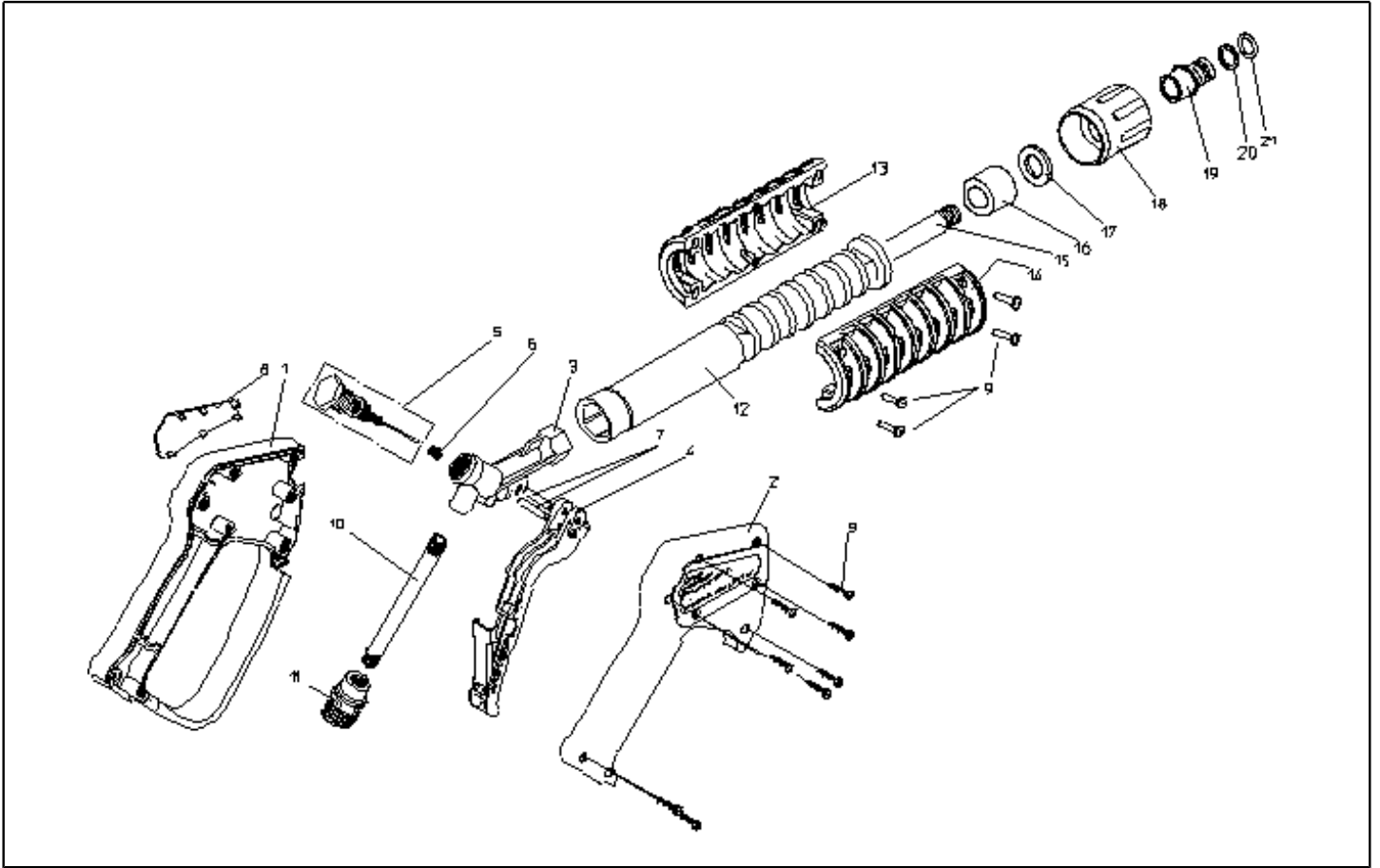
Ref. Part n.	Cust. part n.	Description	Reference	Price
KTRI40287		KIT P 26- 29 OR SEDE G5000-V/2	0002 0003 0004 0005 0006 0007 0009	--
KTRI40285		KIT P 26- 27 SWIVEL G5000-V/2	0013 0014 0015 0016 0017 0018	--
KTRI40286		KIT P 26- 28 LEVA G5000-V/2	0022 0023 0024 0025	--



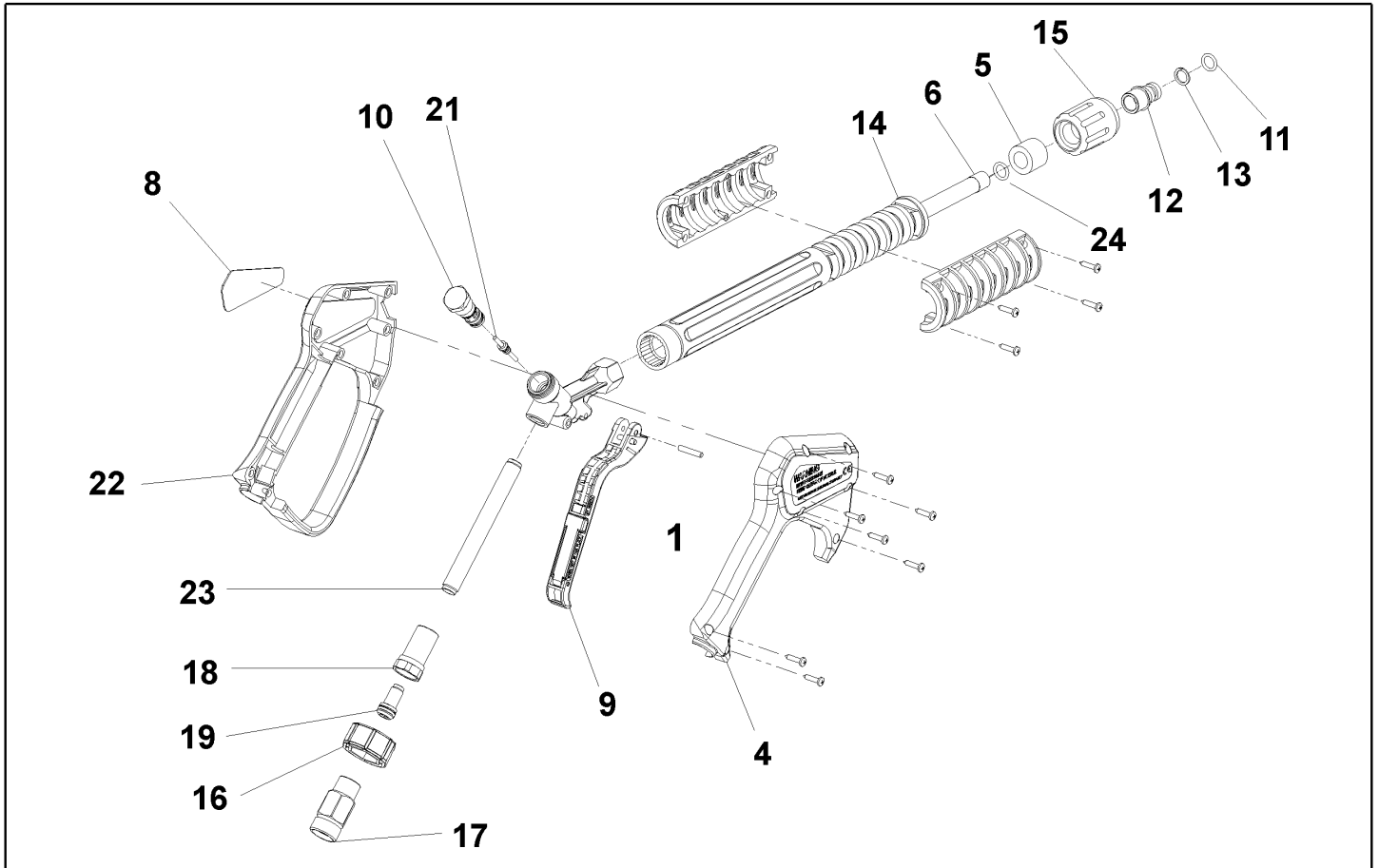
Ref. K	Part n.	Customer part n.	Description	Quantity	Validity		Price
					From	To	
0001	PVVR40381		GUN BODY G 5100 G1/4F	1,00			--
0002	S GUVR40074		ANTI-EXTR.RING D. 3 X 7.4X1.3	1,00			--
0003	S GUGO21835	00021835	O-RING D. 2.84 X 2.62 VIT. 80SH	1,00			--
0004	PVVR40382		PISTON GUIDE G 5100	1,00			--
0005	S PVVR40112		BALL SEAT G 5000	1,00			--
0006	S SFVR40002		BALL D.11/32" ALL GR16	1,00			--
0007	MLML40016		SPRING D. 9.4 x21.5x1.6 G5000	1,00			--
0008	GUGO12322	00012322	O-RING D. 14 X 1.78 NBR 90SH	1,00			--
0009	PVVR40383		CONNECTOR COLL.G5100 1/4F	1,00			--
0010	VTRS40017		WASHER D. 8.2X11,4X1.00	4,00			--
0011	PVVR40384		TUBE G 1/4" L.105	1,00			--
0012	RCIN40022		CONNECTOR SWIV G5100 1/4F	1,00			--
0013	MPVR40819		RING NUT G 5100 SW. BK.	1,00			--
0014	RCIN40021		JOINT SWIV 5100 M22	1,00			--
0015	S GUVR40075		ANTI-EXTR.RING D. 10 X14X1.5	1,00			--
0016	S GUVR40076		ANTI-EXTR.RING D. 11.2X14X1.2	1,00			--
0017	S GUGO15295	00015295	O-RING D. 10.82 X 1.78 VIT 75SH	1,00			--
0018	PVVR40386		SCREW SW. G 5100	1,00			--
0019	VTVR40047		PLUG D. 4X29	2,00			--
0020	MPVR40820		TRIGGER G 6000-SW	1,00			--
0021	MPVR40821		SAFETY-DEVICE G 6000-SW	1,00			--
0022	MPVR40822		SHELL G 6000-SW DX	1,00			--
0023	MPVR40823		PLATE G 6000 GR.DX	1,00			--
0024	PVVR40387		SMALL PISTON G 5100	1,00			--
0025	MLML40029		SPRING G 5100	1,00			--
0026	MPVR40824		SHELL G 6000-SW SX	1,00			--
0027	MPVR40825		PLATE G 6000 GR.SX	1,00			--
0028	VTVT40043		SCREW AF 4X 14 HILO ZN.N	12,00			--
0029	LCPR40086		TUBE 1/4 L=420 ZC. 0°	1,00			--
0030	MPVR40493		CONNECTOR G 5100-SW	1,00			--
0031	MPVR40494		PROTECTION P 420 C/AN.	1,00			--
0035	MPVR40198		CAP G 5000	1,00			--
0036	MPVR40495		CAP G 5100 REM.	1,00			--
0037	PVVR40119		CONNECTION M22X1,5 IRV G5000	1,00			--
0038	RCIN40009		GUDGEON G 1/4 F IRV G5000	1,00			--
0039	GUVR40034		ANTI-EXTR.RING D. 10 X14	1,00			--
0040	GUGO01946	00001946	O-RING D. 9.13 X 2.62 VIT 70SH	1,00			--



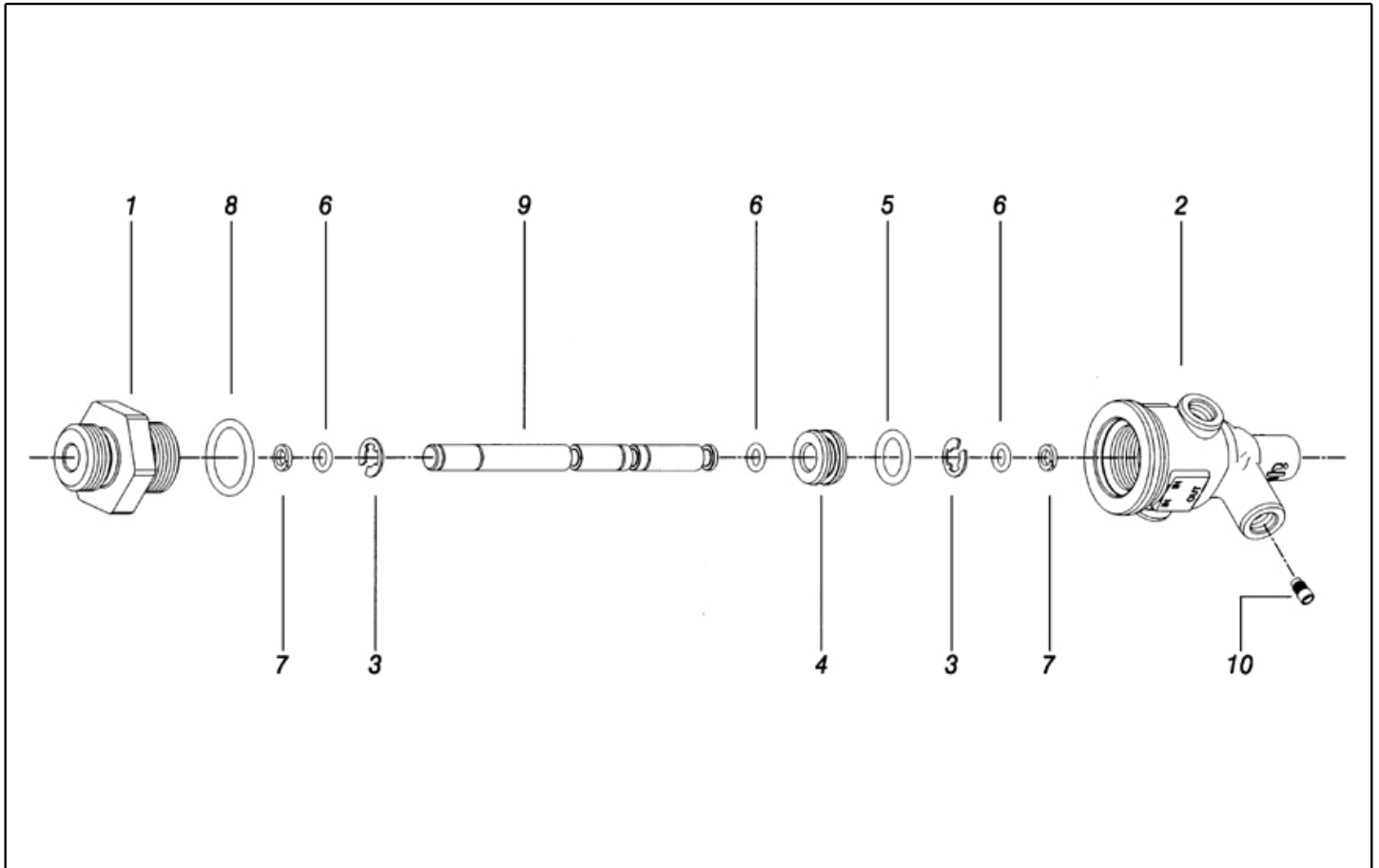
Ref. Part n.	Cust. part n.	Description	Reference	Price
KTRI40243		KIT P 26- 26 SWIVEL G 5100	0015 0016 0017	--
KTRI40414		KIT P 26- 34 G 6000	0002 0003 0005 0006	--



Ref. K	Part n.	Customer part n.	Description	Quantity	Validity		Price
					From	To	
0001	MPVR46562	00046562	SHELL G 4500	1,00			--
0002	MPVR46563	00046563	COVER G 4500	1,00			--
0003	PVVR46564	00046564	GUN BODY G 4500 G1/4 OT.	1,00			--
0004	MPVR46565	00046565	TRIGGER G 4500	1,00			--
0005	PVVR46566	00046566	SMALL PISTON G 4500 CPL.	1,00			--
0006	PVVR46567	00046567	PISTON GUIDE G 4500 CPL.	1,00			--
0007	VTVR46568	00046568	PLUG G 4500	2,00			--
0008	MPVR46569	00046569	PLATE G 4500 RD.	1,00			--
0009	VTVT28553	00028553	SCREW TCB-TC 3.5X16	11,00			--
0010	PVVR37732	00037732	PIPE G 1/4" M/M L.139	1,00			--
0011	RCIN03752	00003752	MALE COUPLING 1/4FA	1,00			--
0012	MPVR46570	00046570	PROTECTION P 330 ST	1,00			--
0013	PVVR13440	00013440	SHELL PROTECTI. ST	2,00			--
0015	LCPR46571	00046571	TUBE 1/4 L=352 ZC.	1,00			--
0016	MPVR46572	00046572	SPACER P 330 ST	1,00			--
0017	VTRS04931	00004931	WASHER COPPER D.13X19X1.5	1,00			--
0018	PVVR13445	00013445	CONNECTION M 22X1,5 L=45	1,00			--
0019	RCVR13030	00013030	GUDGEON G 1/4 F L=31.5	1,00			--
0020	GUVR10526	00010526	ANTI-EXTR.RING D.13.9X10.2 C.BZ	1,00			--
0021	GUGO10525	00010525	O-RING D. 9.3 X 2.4 NBR 70SH	1,00			--



Ref. K	Part n.	Customer part n.	Description	Quantity	Validity		Price
					From	To	
0001	VTVR46568	00046568	PLUG G 4500	1,00			--
0004	MPVR46563	00046563	COVER G 4500	1,00		30/04/2008	--
0004	MPVR40157		COVER G 4500 2V.	1,00	01/05/2008		--
0005	MPVR46572	00046572	SPACER P 330 ST	1,00			--
0006	LCPR46571	00046571	TUBE 1/4 L=352 ZC.	1,00		30/04/2008	--
0006	LCPR40007		TUBE 1/4 L=352 ZC. 2V.	1,00	01/05/2008		--
0008	MPVR46569	00046569	PLATE G 4500 RD.	1,00			--
0009	MPVR40057		TRIGGER G 4500 -SW	1,00			--
0010	PVVR40030		SMALL PISTON TM ST-2300	1,00			--
0011	GUGO10384	00010384	O-RING D. 10 X 2.2 VIT 80SH	1,00			--
0012	RCVR13030	00013030	GUDGEON G 1/4 F L=31.5	1,00			--
0013	GUVR10526	00010526	ANTI-EXTR.RING D.13.9X10.2 C.BZ	1,00			--
0014	MPVR46570	00046570	PROTECTION P 330 ST	1,00			--
0015	PVVR13445	00013445	CONNECTION M 22X1,5 L=45	1,00			--
0016	MPVR40058		RING NUT G4500 SW.	1,00			--
0017	RCIN40001		JOINT SWIV 4500 3/8"F	1,00		30/04/2008	--
0017	RCIN40005		JOINT SWIV 4500 3/8"F 2V.	1,00	01/05/2008		--
0018	RCIN31641	00031641	CONNECTOR SWIV 1500 F	1,00			--
0019	KTRI31645	00031645	KIT P 26- 14	1,00			--
0021	PVVR40031		ROD ST-2300	1,00			--
0022	MPVR46562	00046562	SHELL G 4500	1,00		30/04/2008	--
0022	MPVR40156		SHELL G 4500 2V.	1,00	01/05/2008		--
0023	PVVR40023		TUBE G 1/4" M/M P/SW.	1,00			--
0024	GUGO27021	00027021	O-RING D. 11 X 2.5 EPD 70SH	1,00	01/05/2008		--



Ref. K	Part n.	Customer part n.	Description	Quantity	Validity		Price
					From	To	
0001	PVVR45704	00045704	VALVE G.BUSHING P176 OT	1,00			--
0002	RCDS44869	00044869	VALVE BODY P176 OT58	1,00			--
0003	VTAE45707	00045707	CIRCLIP D. 6 UNI 7434 INOX	2,00			--
0004	PVVR45705	00045705	SMALL PISTON P176 OT.	1,00			--
0005	GUGO01047	00001047	O-RING D. 11.91 X 2.62 NBR 70SH	1,00			--
0006	GUGO10464	00010464	O-RING D. 5.28 X 1.78 NBR 70SH	3,00			--
0007	GUVR46821	00046821	ANTI-EXTR.RING D. 5.1X 8.1X1.5 PTFE	2,00			--
0008	GUGO01056	00001056	O-RING D. 18.72 X 2.62 NBR 70SH	1,00			--
0009	PVVR45706	00045706	PUSH ROD P176 INX	1,00			--
0010	UGLN09757	00009757	NOZZLE CD.140 RD	1,00			--