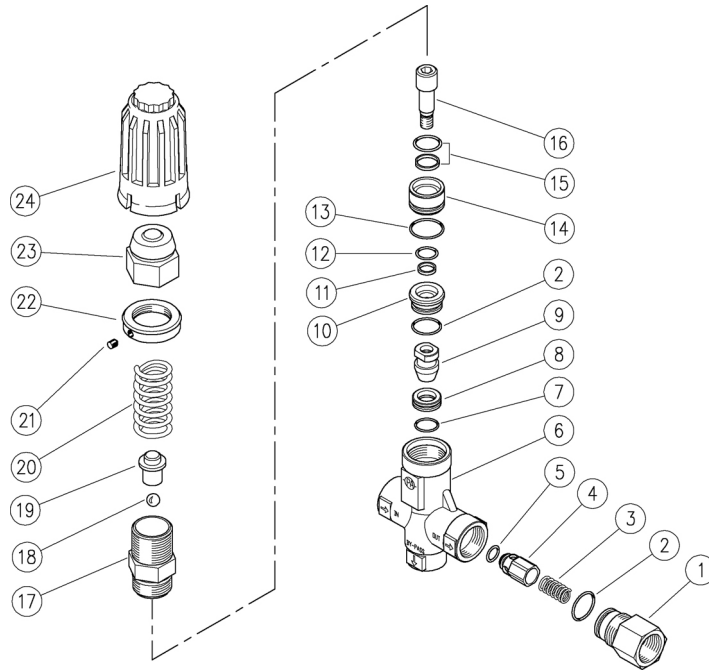


60.0665.00 VRP 23 Pressure Regul. Valve, 1/2 Bsp F
 60.0670.00 VRP 43 Pressure Regul. Valve, 1/2 Bsp F

60.1400.00 VB23 unload. 1/2F Bsp Ai303



K1K2K3K4

1	60.1404.51RShutter coupl., 1/2F Bsp Sst.	1				3
2	10.3068.10RO-ring, 1,78x17,17 mm Vi 70	2	•			10
2	10.3068.01RO-ring, 1,78x17,17 mm Ni 85 (1)	1				10
3	60.1403.60RSpring, 0,8x10,7x23 mm aisi316 Sst. (2)	1				10
4	60.1402.51RShutter pin, Sst. (2)	1				3
5	10.3230.10RO-ring, 3,53x7,52 mm Vi 70 (2)	1	•			10
6	60.1401.55RSst VB23/43 body	1				1
7	10.3066.10RO-ring, 1,78x15,6 mm Vi 70	1	•			10
7	10.3066.01RO-ring, 1,78x15,6 mm Ni 85 (1)	1				10
8	60.1809.51RSeat, 11,6x19x6 mm Sst.	1	•			5
9	60.1808.51RShutter pin, M8 Sst.	1	•			3
10	60.1410.51RSpacer ring, 10x23,4x10,5 mm Sst.	1				3
11	10.4022.00RBack-up ring, 10x12x2 mm	1	•			10
12	10.3059.10RO-ring, 1,78x11,11 mm Vi 70	1	•			10
13	10.3072.10RO-ring, 1,78x20,35 mm Vi 70	1	•			10

K1K2K3K4

13	10.3072.01RO-ring, 1,78x20,35 mm Ni 85 (1)	1				10
14	60.1409.51RSpacer ring, 10,3x23,5x17,5 mm Sst.	1				3
15	10.2029.00RStem seal, 14x19x2,2 mm +O-ring	1	•			4
16	60.1411.51RPiston, M8 Sst.	1				5
17	60.1406.51RPiston holder, Sst.	1				5
18	14.7443.10RBall, 11/32" Sst.	1				10
19	60.1405.31RSpring rest pin, brass	1				10
20	60.0975.61RSpring, 4,2x19,7x42 mm z.pl.	1				10
20	60.1407.61RSpring, 5x21,4x49 mm z.pl. (1)	1				3
21	16.2100.00RSet screw, DIN914 M4x4 mm	1				10
22	60.1728.31Rring nut, M27x1 brass	1				10
22	60.1814.31Rring nut, M27x1 brass (1)	1				5
23	60.1727.31RValve regulating knob, brass	1				5
23	60.1408.31RValve regulating knob, M27 brass (1)	1				5
24	60.1726.84RValve regulating knob, PA black (2)	1				10

K1

K1	60.1414.24 Spares kit -VB23, 9x1pcs.	1
----	--------------------------------------	---

(1) 60.0670.00 (2) 60.1400.00